



# RAM<sup>®</sup> MOUNTS

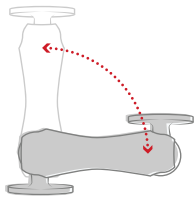
Material Handling



# About RAM® Mounts

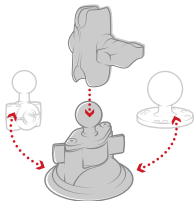
RAM® Mounts manufactures rugged and versatile mounting systems for cameras, tablets and other mobile devices that can be attached nearly anywhere. Unlike other mounts on the market, RAM® allows you to mount items where you need them most. The unique design of the RAM® Mounts system provides quick installation, adjustability, strength, vibration dampening and durability—all at a low cost. Backed by a lifetime warranty, RAM® uses powder-coated marine-grade aluminum with lightweight and high-strength composites, stainless steel hardware and rubber balls.

## The RAM® Difference



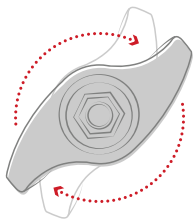
### Premium Design

The rubber ball and socket design of our mounting systems offers a secure hold, with near-infinite adjustability and vibration dampening for the most demanding environments. With thousands of components trusted by users around the world, we've been able to design and develop mounting solutions that consumers and companies previously only dreamed were possible.



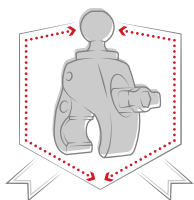
### Customizable

Take your phone mount from your truck to your boat, or mix and match components to create your ideal mount. Because of the modularity of the RAM® system, you can customize your solution to fit your specific needs in almost any application.



### Quality Materials

A premium design deserves the highest quality materials available, from rubber and stainless steel to high-strength composites and marine-grade aluminum. Our facilities—including powder coating, die casting, rubber injection molding, and shock and vibration testing—help us deliver on this promise to bring you inventive mounting solutions.



### Lifetime Warranty

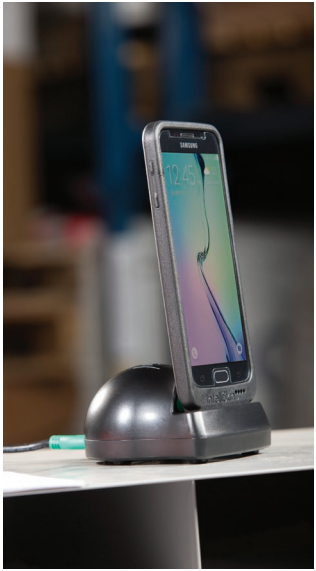
It's simple. Our reputation as the leader of premier mounting systems means if we build it, then we guarantee it. We're confident in the quality of our products, and with our warranty, you can be too. Learn more [[link: rammount.com/warranty](http://rammount.com/warranty)] about our lifetime warranty.

# Partner With RAM® Mounts

Here at RAM® Mounts, we believe that unfathomable things are possible with ingenuity. With a portfolio of over 5,000 SKUs paired with innovative engineers and in-house product experts, we have the tools and expertise needed to create solutions that you didn't know were possible. We have the ability to solve your mounting challenges quickly, efficiently and cost effectively.

No matter your company's size, you can trust RAM® Mounts to deliver ingenious solutions that do exactly what you need them to do.





# Table of Contents

5 Popular Mounting Locations

7 How It Works

9 Bases

19 Arms

21 Device Adapters

25 Holders

35 Swing Arm Post Clamps

39 Accessories

45 IntelliSkin® With GDS®

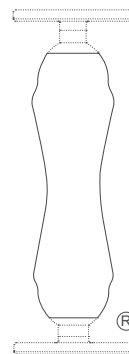
57 Think Outside the Warehouse

59 Partner Highlight

63 Drawings

65 Compatibility Guide

69 The Shape that Started It All



RAM® double socket arms with their distinctive Hourglass Shape are recognized globally as a symbol of the reliability, quality and durability of this line of products. The Hourglass Shape is a registered trademark of National Products Inc.

## Popular Mounting Locations

Using RAM® Mounts, there are a wide range of mounting solutions and locations for forklifts and other equipment in any material handling setting. The guide below will help you find compatible mounting systems for overhead guards, square posts and any location appropriate for mounting a drill-down base.



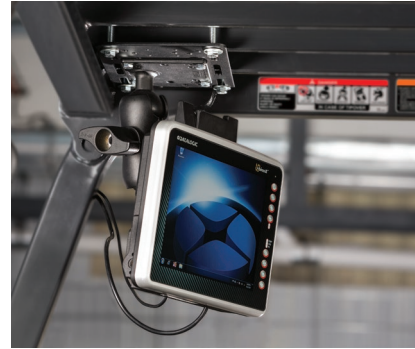
# Popular Mounting Locations

1



Overhead Guard Plates, pg. 10  
Socket Arm, pg. 20  
Device Adapter, pg. 22

2



Overhead Guard Plates, pg. 10  
Socket Arm, pg. 20  
Device Adapter, pg. 23

3



Square Post Clamp, pg. 12  
Socket Arm, pg. 20  
Device Adapter, pg. 22  
IntelliSkin® with GDS® Dock, pg. 48

4



Square Post Clamp, pg. 12  
Socket Arm, pg. 20  
Device Adapter, pg. 22  
Scanner Gun Holder, pg. 26

5



Square Post Clamp, pg. 12  
Socket Arm, pg. 20  
RAM® X-Grip®, pg. 30

6



Drill-Down Base, pg. 16  
Socket Arm, pg. 20  
Device Adapter, pg. 22  
Printer Cradle, pg. 31

# How It Works

1

## Choose a Base

Select from a variety of bases to help secure your device where you need it.

2

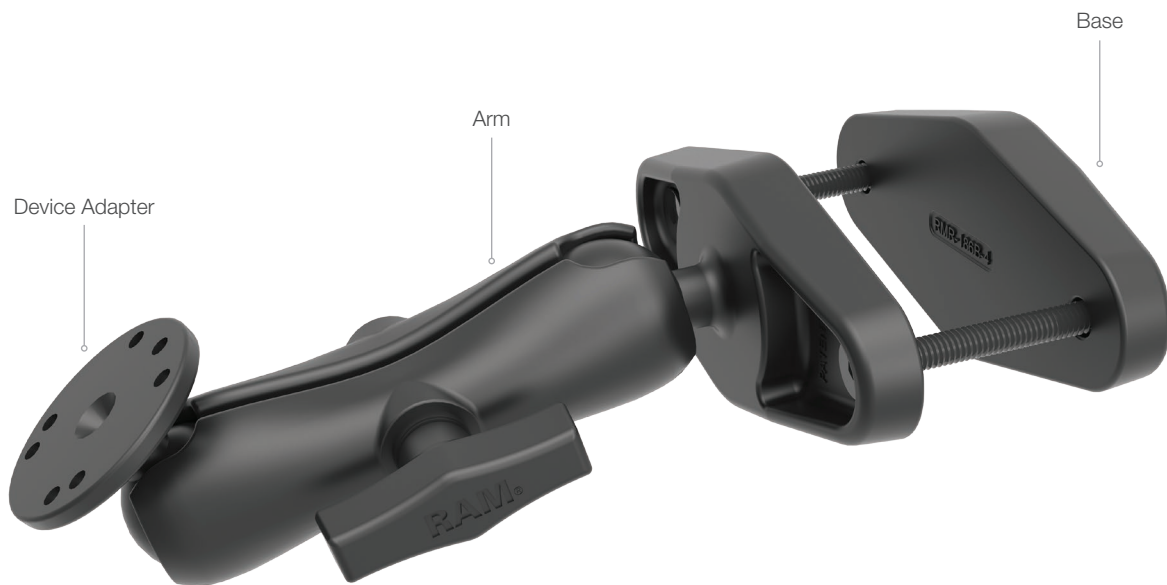
## Choose an Arm

Select an arm based on your desired length and placement.

3

## Choose an Adapter

RAM® offers a wide selection of adapters and cradles for your specific device.



## Modular Solutions for Every Use

### Slip Resistant

The marine-grade aluminum or composite arm provides a strong hold that reduces slip on the rubber ball

### Guaranteed

RAM® Mounts offers a lifetime warranty on all mounting hardware

### Vibration Dampening

The rubber ball absorbs the impact of the rough waves, providing shock and vibration dampening

### Adjustable

With nearly 360 degrees of articulation, each product may be adjusted to any angle with the turn of a single knob



# How It Works

---

## Ball Size Selection Guide

Each ball size in the RAM® Mounts rubber ball and socket system supports a different amount of weight and withstands increasingly intense vibration. Use the examples below to determine the ideal size for your system based on your device weight and application.



### B Size

- 1" diameter ball
- Holds up to 2 lbs
- Ideal for cup holders, cameras, phones and other lightweight devices



### C Size

- 1.5" diameter ball
- Holds up to 5 lbs
- Ideal for tablets, 2D barcode scanners and lightweight laptops



### D Size

- 2.25" diameter ball
- Holds up to 10 lbs
- Ideal for vehicle-mounted computers and rugged laptops in moderate vibration environments



### E Size

- 3.38" diameter ball
- Holds up to 25 lbs
- Ideal for vehicle-mounted computers and rugged laptops in extreme vibration environments

---

# Bases

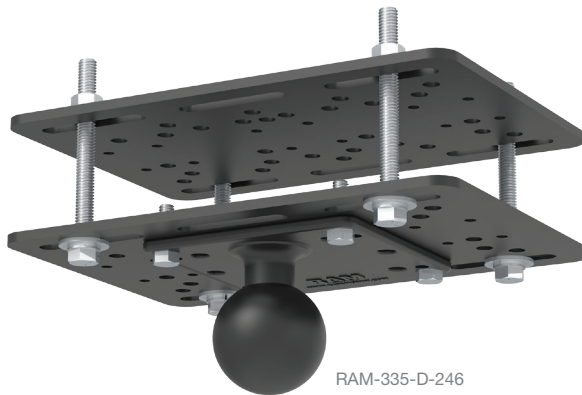


Seen in this photo:  
RAM-335-D-246, Overhead Guard Plate with 2.25" Ball  
RAM-D-201U-C, Short Socket Arm for 2.25" Ball  
RAM-D-254U, AMPS Device Adapter with 2.25" Ball (shown with Honeywell Thor VM3)

# Bases

## Overhead Guard Plates

Utilize two identical stamped steel plates that fasten to most lift cages and overhead guards to mount computers, printers, scanners and tablets. This rugged mount allows for the attachment of bases with a variety of RAM® Mounts ball sizes. The plates include both the VESA and AMPS hole patterns. Multiple ball bases can be attached to the same plate, helping to keep all your devices in one convenient location.



Part Number	Ball Size
RAM-335	No Ball
RAM-335-246	1.5" (C)
RAM-335-D-246	2.25" (D)
RAM-335-E-346	3.38" (E)



Seen in this photo:  
RAM-335-D-246, Overhead Guard Plate with 2.25" Ball  
RAM-D-201U-C, Short Socket Arm for 2.25" Ball  
RAM-D-254U, AMPS Device Adapter with 2.25" Ball (shown with Honeywell Thor VM3)  
RAM-101U, Drill-Down Mount with 1.5" Ball  
RAP-396U, RAM® Power-Grip™ Scanner Gun Holder (shown with Honeywell Granit Series Scanner)

## Bases



Seen in this photo:

RAM-247U-25, Square Post Clamp with 1.5" Ball

RAM-201U, Standard Socket Arm for 1.5" Ball

RAM-202U, AMPS Device Adapter with 1.5" Ball

RAM-GDS-DOCKL-V2-SAM23U, Locking GDS® Vehicle Dock for the Samsung Tab A 10.1 with S Pen

RAM-GDS-SKIN-SAM26, IntelliSkin® for the Samsung Tab A 10.1 with S Pen (shown with tablet)

# Bases

## Square Post Clamp

This base allows you to attach any size RAM® Mounts ball to the overhead guard leg or overhead guard. Measure your post and compare with the chart below to determine the appropriate clamp.



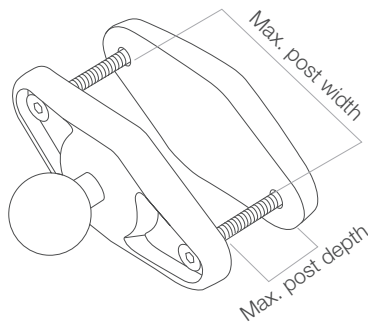
RAM-247U-4



RAM-D-247U-25



RAM-D-247U-4



Part Number	Ball Size	Max. Post Width	Max. Post Depth
RAM-B-247U-15	1" (B)	1.5"	2.125"
RAM-B-247U-17	1" (B)	1.75"	2.125"
RAM-B-247U-2	1" (B)	2"	1.875"
RAM-B-247U-25	1" (B)	2.5"	2.125"
RAM-B-247U-3	1" (B)	3"	1.875"
RAM-B-247U-4	1" (B)	4"	2.125"
RAM-247U-15	1.5" (C)	1.5"	2.125"
RAM-247U-17	1.5" (C)	1.75"	2.125"
RAM-247U-2	1.5" (C)	2"	1.875"
RAM-247U-25	1.5" (C)	2.5"	2"
RAM-247U-3	1.5" (C)	3"	1.875"
RAM-247U-4	1.5" (C)	4"	1.75"
RAM-247U-5	1.5" (C)	5"	1.625"
RAM-D-247U-15	1.5" (C)	1.5"	2.125"
RAM-D-247U-17	2.25" (D)	1.75"	2.125"
RAM-D-247U-2	2.25" (D)	2"	1.875"
RAM-D-247U-25	2.25" (D)	2.5"	1.875"
RAM-D-247U-3	2.25" (D)	3"	1.875"
RAM-D-247U-4	2.25" (D)	4"	1.75"
RAM-D-247U-5	2.25" (D)	5"	1.625"
RAM-E-247U-25	3.38" (E)	2.5"	1.75"

## Square Post Clamp - No Hardware

The no hardware configuration of the square post clamp enables you to customize the mount to a variety of post thicknesses and use cases. Select a base that fits one side of your post and use your own 5/16" diameter hardware to attach the plates together. You can also mount this version of the square post clamp into walls or other flat surfaces to provide modular mounts throughout the yard and warehouse.



RAM-247U-25NH

Part Number	Ball Size	Max Post Width
RAM-B-247U-2NH	1" (B)	2"
RAM-B-247U-3NH	1" (B)	3"
RAM-247U-25NH	1.5" (C)	2.5"
RAM-247U-4NH	1.5" (C)	4"
RAM-247U-5NH	1.5" (C)	5"

# Bases

## Round Post Clamp

Secure your mount to any round post and ensure that your tablet, inventory management device or scanner is at the ready. With two clamp and ball sizes, this mounting solution fits most round overhead guard legs and holds a variety of device weights.

Part Number	Ball Size	Fits Posts
RAM-271U-12	1.5" (C)	1.25" - 1.785" diameter
RAM-271U-2	1.5" (C)	2" - 2.5" diameter
RAM-D-271U-12	2.25" (D)	1.25" - 1.785" diameter
RAM-D-271U-2	2.25" (D)	2" - 2.5" diameter



RAM-271U-12  
Suitable for cart applications



RAM-D-271U-2  
Suitable for Crown's work assist



- Seen in this photo:
- RAM-D-271U-2, Round Post Clamp with 2.25" Ball
  - RAM-D-201U, Standard Double Socket Arm for 2.25" Ball
  - RAM-D-202U, Device Adapter with 2.25" Ball (shown with Honeywell Thor CV31)
  - RAM-202U-IN10, Keyboard Adapter Plate
  - RAM-202U, AMPS Device Adapter with 1.5" Ball
  - RAM-201U-B, Short Double Socket Arm for 1.5" Ball

# Bases

## RAM® Torque™

The RAM® Mounts Torque™ base is a low-profile attachment for posts and tubing. Sizing inserts are included to provide a snug fit and protection of the post. The mount utilizes nylon-insert locknuts to prevent loosening in high vibration environments.



RAM-B-415-15-2U  
1" (B) ball



RAM-B-337-1U  
1" (B) ball

## U-Bolt

The U-Bolt mount offers a secure, low-profile mounting solution that is a perfect fit in tight spaces such as on posts with low clearance. With the option of three ball diameters and double U-Bolt configurations for rough environments, there is a U-Bolt for every use case.



RAM-231-1U



RAM-D-235U

Part Number	Ball Size	U-Bolt Type	Fits Posts
RAM-B-231ZU	1" (B)	Single, zinc	.5" - 1.25" diameter
RAM-231ZU	1.5" (C)	Single, zinc	.5" - 1.25" diameter
RAM-B-231-1U	1" (B)	Single, stainless steel	1" - 1.25" diameter
RAM-231-1U	1.5" (C)	Single, stainless steel	1" - 1.25" diameter
RAM-B-235U	1" (B)	Double, stainless steel	.75" - 1.25" diameter
RAM-235U	1.5" (C)	Double, stainless steel	.75" - 1.25" diameter
RAM-D-235U	2.25" (D)	Double, stainless steel	.75" - 1.25" diameter
RAM-235-1U	1.5" (C)	Double, steel	1.25" - 1.5" diameter
RAM-D-235-1U	2.25" (D)	Double, steel	1.25" - 1.5" diameter

## Bases



Seen in this photo:

RAM-202U, Drill-Down Base with 1.5" Ball

RAM-201U-D, Long Socket Arm for 1.5" Ball

RAM-202U, AMPS Device Adapter with 1.5" Ball

RAM-HOL-TABL20U, RAM® Tab-Lock™ Holder (shown with iPad Air 2 with LifeProof case)



# Bases

## Drill-Down

RAM® Mounts offers versatile bases in several sizes and shapes that can be drilled-down to a variety of any flat surface. Each base includes mounting holes, such as the AMPS and VESA hole patterns, for a variety of mounting options.

Part Number	Ball Size	Drawing Reference (See Page 63)
RAM-B-202U	1" (B)	Drawing 2
RAM-202U-IN1*	1.5" (C)	Drawing 2
RAM-2461U-IN1*	1.5" (C)	Drawing 7
RAM-246U	1.5" (C)	Drawing 8
RAM-D-202U-IN1*	2.25" (D)	Drawing 4
RAM-D-2461U	2.25" (D)	Drawing 7
RAM-D-246U-IN1*	2.25" (D)	Drawing 8
RAM-E-202U-IN1*	3.38" (E)	Drawing 4
RAM-E-246U-IN1*	3.38" (E)	Drawing 8

\*steel reinforced post



Seen in this photo:  
 RAM-202U, Drill-Down Base with 1.5" Ball  
 RAM-201U, Standard Socket Arm for 1.5" Ball  
 RAM-202U, AMPS Device Adapter with 1.5" Ball  
 RAM-HOL-UN9U, RAM® X-Grip® Tablet Holder (shown with iPad Air 2 in LifeProof case)

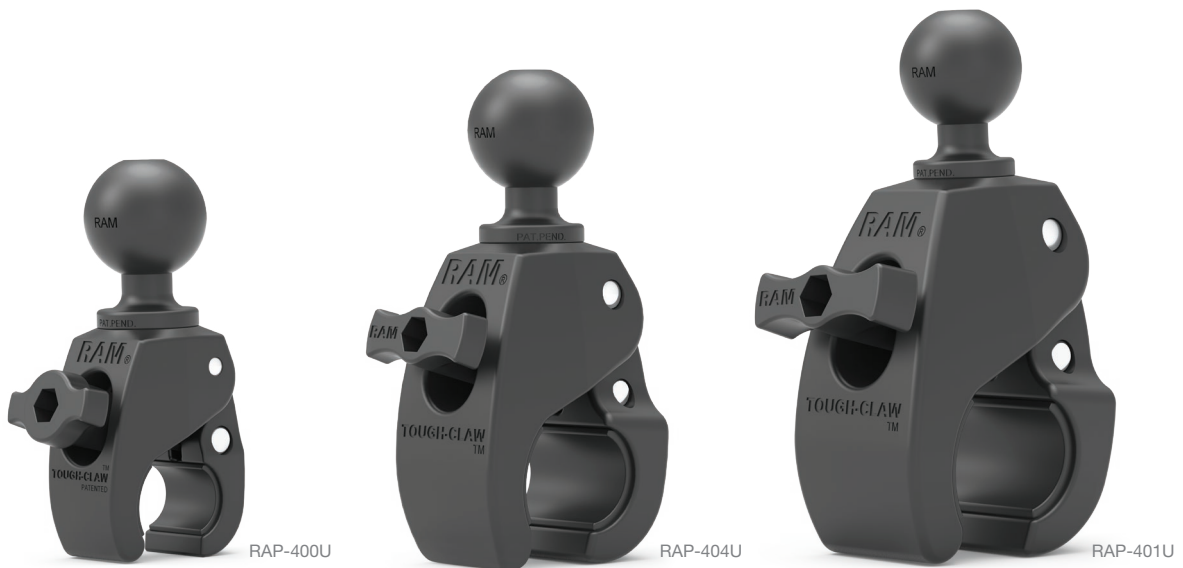
# Bases

## RAM® Tough-Claw™

The RAM® Tough-Claw™ is the perfect mounting base for easy installation and removal without tools on round, square and odd shaped posts and bars. The RAM® Tough-Claw™ can be clamped to posts from .625" to 2.25" in diameter. Ideal for mounting tablets, scanners, radios and more, the RAM® Tough-Claw™ is a trusted and versatile mounting solution.

Part Number	Ball Size	Fits Posts
RAP-B-400U	1" (B)	.625" - 1.5" diameter
RAP-B-404U	1" (B)	1" - 1.875" diameter
RAP-B-401U	1" (B)	1" - 2.25" diameter
RAP-B-401LU*	1" (B)	1" - 2.25" diameter
RAP-400U	1.5" (C)	.625" - 1.5" diameter
RAP-404U	1.5" (C)	1" - 1.875" diameter
RAP-401U	1.5" (C)	1" - 2.25" diameter
RAP-401LU*	1.5" (C)	1" - 2.25" diameter

\* = Locking Feature



## Strap Hose Clamp

The strap hose clamp features a metal strap that provides a firm hold on round posts. Wrap the strap around the post and base, then tighten the worm-drive clamp with a screwdriver until secure. The rubber strip included with the base protects the post from damage.



# Bases

## RAM® Twist-Lock™ Suction Cups

RAM® Mounts offers a variety of suction cup mounts that are designed to keep your devices and equipment secure with a flexible mounting option for both glass and non-porous surfaces. The mechanical RAM® Twist-Lock™ seal of the suction cup latches onto flat surfaces with a strong hold.



RAM-B-224-1U  
Single Suction Cup  
1" (B) ball



RAM-B-189B-202U  
Double Suction Cup  
1" (B) ball



RAM-224-3U  
Triple Suction Cup  
1.5" (C) ball

---

# Arms



Seen in this photo:  
RAM-247U-25, Square Post Clamp with 1.5" Ball  
RAM-201U, Standard Socket Arm for 1.5" Ball  
RAM-202U, AMPS Device Adapter with 1.5" Ball  
RAM-GDS-DOCKL-V2-AP8U, Locking GDS® Vehicle Dock for the Apple iPad Pro 9.7  
RAM-GDS-SKIN-AP12, IntelliSkin® for the Apple iPad Pro 9.7 (shown with tablet)

# Arms

## Arm Sizes

RAM® Mounts feature a double ball and socket system, providing modularity and adjustability. A RAM® arm is the connection between the mounting base and your device, and are available in multiple sizes and lengths.



**B Size**  
RAM-B-201U

**C Size**  
RAM-201U

**D Size**  
RAM-D-201U

**E Size**  
RAM-E-201U

B Size 1"		
Part Number	Overall Length	Socket to Socket
RAM-B-201U-A	2.42"	1.75"
RAM-B-201U	3.73"	3.00"
RAM-B-201U-C	6.00"	5.31"

C Size 1.5"		
Part Number	Overall Length	Socket to Socket
RAM-201U-B	3.56"	2.50"
RAM-201U	5.69"	4.66"
RAM-201U-D	9.13"	8.00"

D Size 2.25"		
Part Number	Overall Length	Socket to Socket
RAM-D-201U-C	5.10"	3.60"
RAM-D-201U	8.44"	6.88"
RAM-D-201U-E	12.98"	11.41"

E Size 3.38"		
Part Number	Overall Length	Socket to Socket
RAM-E-201U-D	7.25"	4.375"
RAM-E-201U	12.625"	9.875"

---

# Device Adapters



Seen in this photo:

RAM-247U-25, Square Post Clamp with 1.5" Ball

RAM-201U, Standard Socket Arm for 1.5" Ball

RAM-202U, AMPS Device Adapter with 1.5" Ball (shown with AML Guardian)

# Device Adapters

## AMPS Adapters

Adapters featuring the AMPS hole pattern provide secure mounting solutions for a wide range of devices and use cases. Available in a variety of ball sizes ranging from B size (1") to D size (2.25").

Part Number	Ball Size	Drawing Reference (See Page 63)
RAM-B-238U	1" (B)	Drawing 1
RAM-B-202U	1" (B)	Drawing 2
RAM-238U	1.5" (B)	Drawing 1
RAM-202U	1.5" (B)	Drawing 2
RAM-202U-IN1*	1.5" (B)	Drawing 2
RAM-D-254U	2.25" (D)	Drawing 3

\*steel reinforced post



Seen in this photo:

RAM-247U-25, Square Post Clamp with 1.5" Ball

RAM-201U, Standard Socket Arm for 1.5" Ball

RAM-202U, AMPS Device Adapter with 1.5" Ball

RAP-396U, RAM® Power-Grip™ Scanner Gun Holder (shown with Honeywell Granit Series Scanner)

# Device Adapters

## VESA Adapters

These adapters are connected to a RAM® Mounts ball for mounting devices and equipment featuring the VESA hole pattern, and are available in a variety of ball sizes ranging from C size (1.5") to E size (3.38").

Part Number	Ball Size	VESA Pattern	Drawing Reference (See Page 63)
RAM-2462U	1.5" (C)	35mm x 75mm	Drawing 6
RAM-2461U	1.5" (C)	75mm	Drawing 7
RAM-2461U-IN1*	1.5" (C)	75mm	Drawing 7
RAM-246U	1.5" (C)	100mm	Drawing 8
RAM-D-2462U	2.25" (D)	35mm x 75mm	Drawing 6
RAM-D-2461U	2.25" (D)	75mm	Drawing 7
RAM-D-246U-IN1*	2.25" (D)	100mm	Drawing 8
RAM-D-246U	2.25" (D)	100mm	Drawing 8
RAM-E-246U	3.38" (E)	100mm	Drawing 8
RAM-E-246U-IN1*	3.38" (E)	100mm	Drawing 8

\*steel reinforced post



Seen in this photo:  
 RAM-202-CRO1, Crown Work Assist Adapter with 1.5" Ball  
 RAM-201U, Standard Socket Arm for 1.5" Ball  
 RAM-2461U, VESA Device Adapter with 1.5" Ball (shown with Advantech TREK-773)



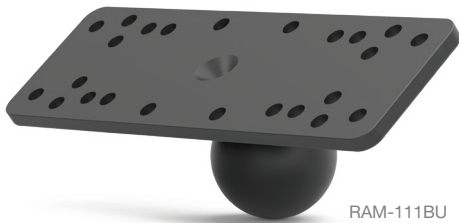
# Device Adapters

## Other Adapters

When your equipment or device doesn't utilize the AMPS or VESA hole patterns, turn to these plates with a variety of pre-drilled hole patterns. Available in ball sizes ranging from C size (1.5") to E size (3.38").

Part Number	Ball Size	Plate Dimensions	Drawing Reference (See Pages 63-64)
RAM-202U-22	1.5" (C)	2" x 2"	Drawing 9
RAM-202U-23	1.5" (C)	2" x 3"	Drawing 10
RAM-202U-24	1.5" (C)	2" x 4"	Drawing 11
RAM-202U-25	1.5" (C)	2" x 5"	Drawing 12
RAM-111BU	1.5" (C)	2" x 6.25"	Drawing 13
RAM-137BU	1.5" (C)	3" x 11"	Drawing 14
RAM-D-202U	2.25" (D)	2.68" diameter	Drawing 4
RAM-D-202U-IN1*	2.25" (D)	2.68" diameter	Drawing 4
RAM-D-202U-SYM1*	2.25" (D)	2.68" diameter	Drawing 5
RAM-D-202U-22	2.25" (D)	2" x 2"	Drawing 9
RAM-D-202U-23	2.25" (D)	2" x 3"	Drawing 10
RAM-D-202U-24	2.25" (D)	2" x 4"	Drawing 11
RAM-D-202U-25	2.25" (D)	2" x 5"	Drawing 12
RAM-D-111B-IN1U*	2.25" (D)	3" x 11"	Drawing 14
RAM-E-202U	3.38" (E)	2.68" diameter	Drawing 4
RAM-E-202U-IN1*	3.38" (E)	2.68" diameter	Drawing 4
RAM-E-202U-SYM1*	3.38" (E)	2.68" diameter	Drawing 5

\*steel reinforced post



RAM-111BU



RAM-D-202U-SYM1



Seen in this photo:  
 RAM-335-D-246, Overhead Guard Plate with 2.25" Ball  
 RAM-D-201U-C, Short Socket Arm for 2.25" Ball  
 RAM-D-202U-23, Device Adapter with 2.25" Ball (shown with Zebra VC80)

---

# Holders



Seen in this photo:

RAM-247U-25, Square Post Clamp with 1.5" Ball

RAM-201U, Standard Socket Arm for 1.5" Ball

RAM-202U, AMPS Device Adapter with 1.5" Ball

RAP-396U, RAM® Power-Grip™ Scanner Gun Holder (shown with Honeywell Granit Series Scanner)

# Holders

## RAM® Power-Grip™ Scanner Gun Holder

Keep your scanner guns in an ergonomic and user-friendly location with this rugged holder. The open bottom design of the RAM® Power-Grip™ enables scanning while in the holder and replaceable elastomeric fins grip the handle of the scanner for a secure hold.

Part Number	Internal Width	Internal Length	Internal Depth	Compatible Ball
RAP-396U	3.47"	2.16"	4.9"	RAM-202U



RAP-396U

## RAM® Drop-N-Lock™ Scanner Gun Holder

The RAM® Drop-N-Lock™ cradle is designed to hold most types of pistol grip mobile computer with scanning capabilities. The spring-loaded lever on the side of the cradle securely holds the scanner in the cradle. Simply drop the scanner handle into the holder and it locks into place.

Part Number	Internal Width	Internal Length	Internal Depth	Compatible Ball
RAP-317U	1.46"	2.5"	5.11"	RAM-202U



RAP-317U

# Holders

## RAM® Tab-Lock™

The RAM® Tab-Lock™ tablet holder includes a spring-loaded back plate, interchangeable end cups and a keyed locking mechanism. End cups are designed to optimize the functionality of your tablet, allowing access to audio jacks, USB, power and other ports. Quickly lock the holder to keep your tablet safe from theft. Available for a variety of devices.



Seen in this photo:  
RAM-247U-25, Square Post Clamp with 1.5" Ball  
RAM-201U, Standard Socket Arm for 1.5" Ball  
RAM-202U, AMPS Device Adapter with 1.5" Ball  
RAM-HOL-TABL20U, RAM® Tab-Lock™ Holder (shown with iPad 9.7 with LifeProof Case)

# Holders

## RAM® Tab-Lock™

### Device Compatibility

Device	Part Number
Amazon Kindle Fire	RAM-HOL-TABL2U
Apple iPad 1-4	RAM-HOL-TABL3U
Apple iPad 1-4 with Case	RAM-HOL-TABL17U
Apple iPad 4	RAM-HOL-TABDL14U
Apple iPad Air	RAM-HOL-TABL6U
Apple iPad Air 2	RAM-HOL-TABL6U
Apple iPad mini 1-3	RAM-HOL-TABL11U
Apple iPad mini 1-4 with Case	RAM-HOL-TABL12U
Apple iPad Pro 9.7	RAM-HOL-TABL6U
Apple iPad Air with Case	RAM-HOL-TABL20U
Apple iPad Air 2 with Case	RAM-HOL-TABL20U
Apple iPad Pro 9.7 with Case	RAM-HOL-TABL20U
Google Nexus 7	RAM-HOL-TABL18U
Google Nexus 7 with Case	RAM-HOL-TABL16U
Google Nexus 9	RAM-HOL-TABL6U
HP TouchPad	RAM-HOL-TABL3U
Microsoft Surface Pro 4	RAM-HOL-TABL10U
Panasonic Toughpad FZ-A1	RAM-HOL-TABL9U
Panasonic Toughpad FZ-G1	RAM-HOL-TABL19U
Samsung Galaxy Tab 4 7.0	RAM-HOL-TABL22U
Samsung Galaxy Tab 4 7.0 with Case	RAM-HOL-TABL21U
Samsung Galaxy Tab 4 8.0	RAM-HOL-TABL24U
Samsung Galaxy Tab 4 8.0 with Case	RAM-HOL-TABL23U
Samsung Galaxy Tab 4 10.1	RAM-HOL-TABL26U
Samsung Galaxy Tab 4 10.1 with Case	RAM-HOL-TABL25U
Samsung Galaxy Tab A 8.0	RAM-HOL-TABL27U
Samsung Galaxy Tab A 8.0 with Case	RAM-HOL-TABL29U
Samsung Galaxy Tab A 9.7 with Case	RAM-HOL-TABL20U
Samsung Galaxy Tab A 10.1 with S Pen	RAM-HOL-TABL28U
Samsung Galaxy Tab E 8.0	RAM-HOL-TABL24U
Samsung Galaxy Tab E 8.0 with Case	RAM-HOL-TABL23U
Samsung Galaxy Tab E 9.6	RAM-HOL-TABL31U
Samsung Galaxy Tab S 8.4	RAM-HOL-TABL24U
Samsung Galaxy Tab S 8.4 with Case	RAM-HOL-TABL23U
Samsung Galaxy Tab S 10.5	RAM-HOL-TABL26U
Samsung Galaxy Tab S 10.5 with Case	RAM-HOL-TABL25U
Samsung Galaxy Tab S2 8.0	RAM-HOL-TABL30U
Samsung Galaxy Tab S2 8.0 with Case	RAM-HOL-TABL29U
Samsung Galaxy Tab S2 9.7 with Case	RAM-HOL-TABL20U
Samsung Galaxy Tab S3 9.7	RAM-HOL-TABL28U

### Universal Compatibility

Device	Part Number
7" Tablets	RAM-HOL-TABL16U RAM-HOL-TABL18U RAM-HOL-TABL22U
7" Tablets with case	RAM-HOL-TABL21U
7" - 8" Tablets	RAM-HOL-TABL-SM2U RAM-HOL-TABL2U
7" - 9" Tablets with case	RAM-HOL-TABL4U RAM-HOL-TABL12U
8" Tablets	RAM-HOL-TABL24U RAM-HOL-TABL27U RAM-HOL-TABL30U
8" Tablets with case	RAM-HOL-TABL23U RAM-HOL-TABL29U
9" - 10" Tablets with case	RAM-HOL-TABL10U
10" Tablets	RAM-HOL-TABL-LGU RAM-HOL-TABL3U RAM-HOL-TABL6U RAM-HOL-TABL26U RAM-HOL-TABL28U
10" Tablets with case	RAM-HOL-TABL8U RAM-HOL-TABL9U RAM-HOL-TABL17U RAM-HOL-TABL19U RAM-HOL-TABL20U RAM-HOL-TABL25U

### Compatible Ball Adapters



For the most up to date device listings, visit [rammount.com/tablet](http://rammount.com/tablet) for more tablet holder compatibility.

# Holders

RAM® X-Grip®



Seen in this photo:

RAP-400U, Small RAM® Tough-Claw™ with 1.5" Ball

RAM-201U, Standard Socket Arm for 1.5" Ball

RAM-202U, AMPS Device Adapter with 1.5" Ball

RAM-HOL-UN9U, RAM® X-Grip® Holder for 10" Tablets (shown with iPad Air 2 with LifeProof case)

# Holders

## RAM® X-Grip®

The RAM® X-Grip® keeps your phone or tablet secure and accessible and is compatible with a wide range of RAM® Mounts bases. The unique design of the RAM® X-Grip® means it can support almost any size phone or tablet with or without a case or sleeve, and the end caps may be removable when using a tablet.



- RAM-HOL-UN7BU
- Fits phones up to 3.25" wide
  - 1" Ball (B)

- RAM-HOL-UN10BU
- Fits phones up to 4.5" wide
  - 1" Ball (B)

- RAM-HOL-UN8B
- For 7" - 8" tablets
  - 1" Ball (B)



- RAM-HOL-UN9U
- For 9" - 10" tablets
  - Compatible with RAM-202U ball adapter



- RAM-HOL-UN11U
- For 11" - 12" tablets
  - Compatible with RAM-202U ball adapter

# Holders

## Rugged Handheld Holders

Easy to insert and remove from the spring-loaded cradle, your handheld device can be kept safe, secure and at the ready with these form-fitting holders. Ensuring your device remains functional, these holders integrate USB, power and serial ports.

Part Number	Fits	Power Input	Ports	Compatible Ball
RAM-HOL-IN19PBU	Intermec (Honeywell) CN50 and CN51	12-28V DC bare wire and cig plug	USB Type A, Musb, DB9 Serial	RAM-202U
RAM-HOL-IN19U	Intermec (Honeywell) CN50 and CN51	Non-power	N/A	RAM-202U
RAM-HOL-SYM3PU	Motorola MC5574, MC5590, MC55A0, MC65 & MC67	12-28V DC bare wire and cig plug	USB Type A, Musb, DB9 Serial	RAM-202U
RAM-HOL-SYM3PECU	Motorola MC5574, MC5590, MC55A0, MC65 & MC67	12-28V DC cig plug and external power	USB Type A, Musb, DB9 Serial	RAM-202U
RAM-HOL-SYM3U	Motorola MC5574, MC5590, MC55A0, MC65 & MC67	Non-power	N/A	RAM-202U



RAM-HOL-SYM3PU

## Printer Cradles

These form-fitting and spring-loaded printer cradles secure a variety of dynamic printers and scanners, with multiple mounting options available to accommodate a wide variety of configurations.

Part Number	Fits	Clamping Width	Height	Compatible Ball
RAM-VPR-101	Brother PocketJet Series	N/A	N/A	RAM-B-202U RAM-202U
RAM-VPR-102	Canon BJC-85, Canon i80, Canon i90, Canon iP100	8" - 14.5"	Max 1.75"	RAM-B-202U RAM-202U
RAM-VPR-103	HP DeskJet 450, HP DeskJet 460, HP DeskJet 470, HP OfficeJet 100	9" - 15.5"	Max 2.5"	RAM-B-202U RAM-202U
RAM-VPR-104	Fujitsu FP-1000	5.625" - 9.5"	Max 1.175"	RAM-B-202U RAM-202U
RAM-VPR-105	Printronix M4L	6.625" - 10.5"	Max 2.5"	RAM-B-202U RAM-202U
RAM-VPR-106	Brother Rugged RJ-4030, Brother Rugged RJ-4040	N/A	N/A	RAM-B-202U RAM-202U
RAM-VPR-107	Citizen CMP-30/40, Zebra QL420, Brother RJ-3 Series, Honeywell PB 50/51	N/A	N/A	RAM-B-202U RAM-202U



RAM-VPR-101



RAM-VPR-104



# Holders

## Form-Fit Cradles - Samsung Tab Active Product Line

RAM® Mounts has partnered with Samsung to develop three powered vehicle cradles for the Tab Active2 and Tab Active 8.0, including non-locking, combination lock and keyed lock versions. These cradles both charge and protect the tablet while allowing users to easily and efficiently switch between portrait and landscape modes. All form-fit cradles are compatible with any AMPS device adapter.



RAM-HOL-SAM7PKLU  
Keyed Lock



RAM-HOL-SAM7PCLU  
Combination Lock



RAM-HOL-SAM7PU  
Non-Locking RAM® EZ-Roll'r™

# Holders

## Universal Holders



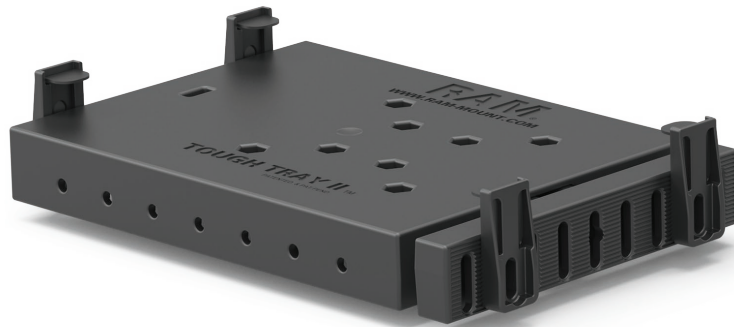
Seen in this photo:  
RAP-B-400U, RAM® Tough-Claw™ with 1" Ball  
RAM-B-201U, Standard Socket Arm for 1" Ball  
RAM-HOL-PD3-238AU, RAM® Quick-Grip™ Holder with 1" Ball (shown with Samsung Galaxy S6)

# Holders

## Universal Holders

These universal holders get the job done for a variety of devices. The RAM® Tough-Tray™ II is a spring-loaded tray for tablets and small laptops. Also featuring spring-loaded arms is the RAM® Quick-Grip™ for phones. Using the RAM® Finger-Grip™, secure handheld devices with adjustable rubber-coated fingers.

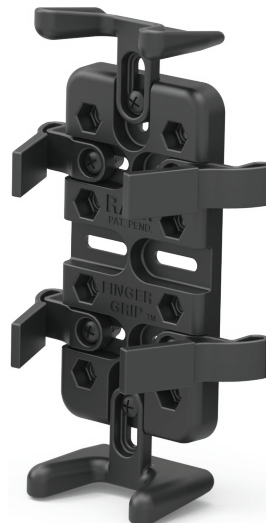
Part Number	Product Line	Common Devices	Width	Height	Depth	Compatible Ball
RAM-234-6	RAM® Tough-Tray™ II	Tablets & Small Laptops	8.56" - 11.12"	Max 2.75"	6"	RAM-B-202U RAM-202U
RAM-HOL-PD3U	RAM® Quick-Grip™	Phones	2.25" - 3.25"	4.75" - 5.25"	Max .75"	RAM-B-238U RAM-238U
RAM-HOL-UN4U	RAM® Finger-Grip™	Handheld Radios & GPS	1.25" - 3.5"	Min 5.25"	Max 1.5"	RAM-B-238U RAM-238U



RAM® Tough-Tray™ II  
RAM-234-6



RAM® Quick-Grip™  
RAM-HOL-PD3U



RAM® Finger-Grip™  
RAM-HOL-UN4U

---

# Swing Arm Post Clamps



Seen in this photo:

RAM-247U-4P1, Swing Arm Post Clamp Base

RAM-261-2U, Swing Arm Extension with Double Ball Adapter

RAM-201U-B, Short Socket Arm with 1.5" Ball

RAM-202U, AMPS Device Adapter with 1.5" Ball

RAM-GDS-DOCKL-V2-SAM23U, Locking GDS® Vehicle Dock for the Samsung Tab A 10.1 with S Pen

RAM-GDS-SKIN-SAM26, IntelliSkin® for the Samsung Tab A 10.1 with S Pen (shown with tablet)

RAM-201U, Standard Socket Arm with 1.5" Ball

RAM-202U, AMPS Keyboard Adapter with 1.5" Ball

# Swing Arm Post Clamps

## How It Works

1

### Choose a Base

Select from a variety of bases to help secure your device where you need it.

2

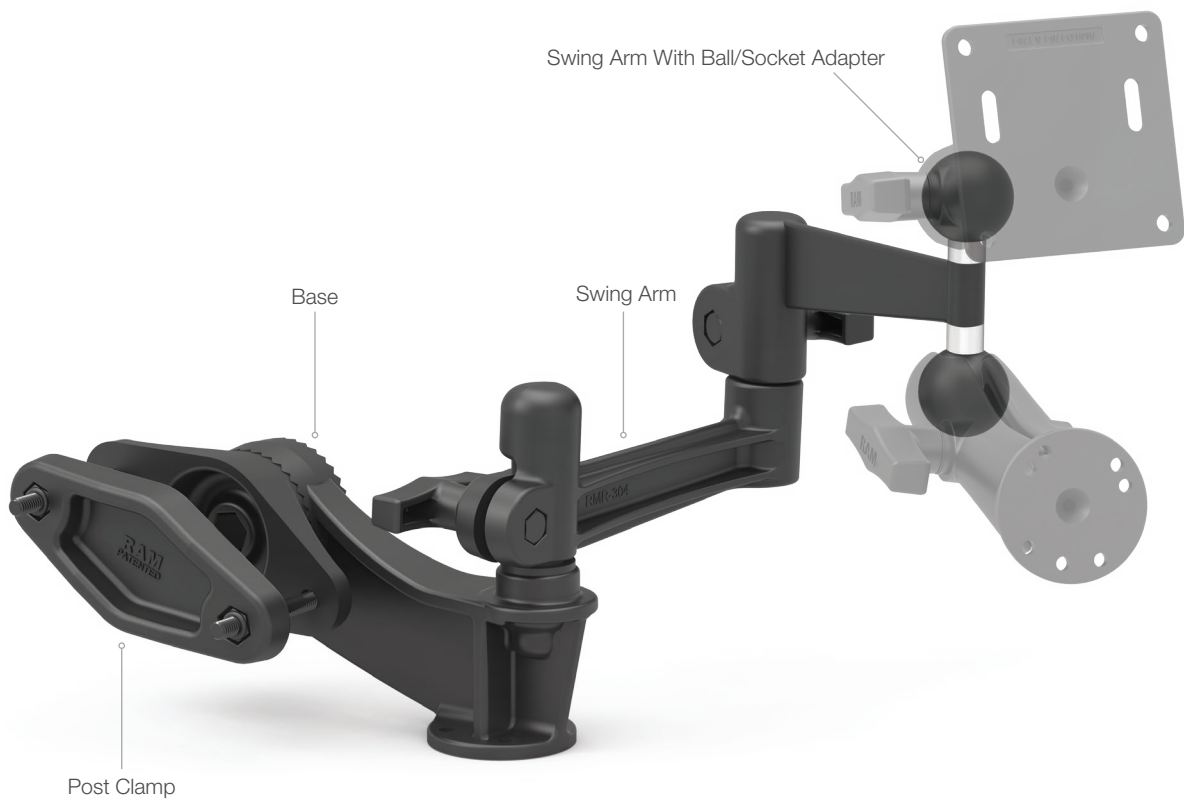
### Choose a Swing Arm (Optional)

Select from a variety of swing arms to twist and tilt the viewing angle of your laptop, tablet, UMPC, monitor or any other connected device.

3

### Choose a Swing Arm With Ball/Socket Adapter

Select a swing arm with a ball/socket adapter for C size (1.5") and D size (2.25") balls, or even mount two devices by utilizing the swing arm with double ball adapter.



# Swing Arm Post Clamps

For 1.5" (C) Ball & Socket Mounts

1 Choose a Base



RAM-247U-4P1

Part Number	Max Post Width	Max Post Depth
RAM-247U-4P1	4"	1.75"

2 Choose a Swing Arm Extension



RAM-261-1U

Part Number	Hole-to-Post Length
RAM-261-1U	6"

3 Choose a Swing Arm With Ball/Socket Adapter



RAM-261U  
For 1.5" (C) Ball Components



RAM-261-ADJU  
Adjustable Arm For 1.5" (C) Ball Components



RAM-261-2U  
For 1.5" (C) Socket Arms

# Swing Arm Post Clamps

For 2.25" (D) Ball & Socket Mounts

1 Choose a Base



RAM-D-247U-4P1

2 Choose a Swing Arm Extension



RAM-D-261-1U

Part Number	Hole-to-Post Length
RAM-D-261-1U	6"

3 Choose a Swing Arm With Ball/Socket Adapter



RAM-D-261U  
For 2.25" (D) Ball Components

---

# Accessories



Seen in this photo:  
RAM-D-202U-CRO1, Crown Work Assist Adapter with 2.25" Ball  
RAM-D-201U-C, Short Socket Arm with 2.25" Ball  
RAM-D-202U-23, Device Adapter with 2.25" Ball (shown with Zebra VC80)  
RAM-KNOB9HU, RAM® Hi-Torq™ Wrench for 2.25" Ball



# Accessories

## RAM® Pin-Lock™ Security Knob and Key

Using a female threaded security knob and key knob, the mixed combination RAM® Pin-Lock™ Security Knob and Key can replace all knobs on B size (1") and C size (1.5") arms and mounts to prevent theft and tampering.



Part Number	Hole-to-Post Length
RAP-S-KNOB3U	Any B Sized Arm
RAP-S-KNOB5U	Any C Sized Arm

## Keyed Locking Knob

The Keyed Locking Knob adds tamper and theft deterrence to your B size (1") and C size (1.5") ball mounts by replacing the standard knob. This is an ideal accessory to keep your mounted electronic devices safe and locked into position.



Part Number	Hole-to-Post Length
RAM-KNOB3LU	Any B Sized Arm
RAM-KNOB5LU	Any C Sized Arm

## RAM® Hi-Torq™ Wrench

The RAM® Hi-Torq™ Wrench is used with the knob on D size (2.25") arms. This wrench provides the extra leverage needed to tighten the mount in cold weather or in small spaces. Tightening the knob with the wrench delivers security and vibration dampening.



Part Number	Fits
RAM-KNOB9HU	Any D Sized Arm

## Accessories



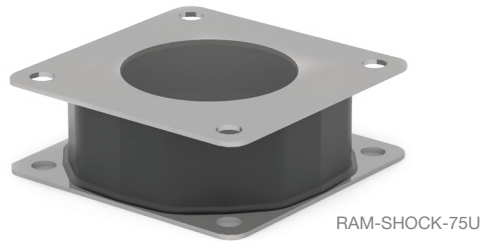
Seen in this photo:  
RAM-335-D-246, Overhead Guard Plate with 2.25" Ball  
RAM-D-201U-C, Short Socket Arm for 2.25" Ball  
RAM-D-2461U, VESA Device Adapter with 2.25" Ball (shown with JLT VERSO)  
RAM-SHOCK-75U, Shock Buster Adapter

# Accessories

---

## Shock Buster Adapter

This VESA hole pattern adapter absorbs shock and vibration for mounting systems in the most extreme environments. Featuring an integrated 40A durometer shock isolator, the Shock Buster fits between any 75mm VESA RAM® Mounts component and the device you're mounting.



---

## RAM® Level Cup™ and RAM® Level Cup™ XL

The RAM® Level Cup™ and RAM® Level Cup™ XL feature two independent self-leveling hinge points that freely swivel, keeping beverages from spilling. The RAM® Level Cup™ XL integrates an adjustable height option for accommodating much larger drink sizes, such as 32 oz. tumblers and water bottles.



## Accessories



Seen in this photo:

RAM-247U-4, Square Post Clamp with 1.5" Ball  
RAM-201U, Standard Arm for 1.5" Ball  
RAM-202U, AMPS Device Adapter with 1.5" Ball  
RAM-HOL-MP1U, RAM® Multi-Pad™ Organizer

# Accessories

## RAM® Multi-Pad™

Keep important documents securely in place and organized with this durable pad holder. Utilize the integrated magnets to hold the included metal pen in place. Compatible with any 3"-4" 3 ring binder notepad, the RAM® Multi-Pad™ utilizes multiple mounting points so it can be easily attached to any RAM® Mounts with the universal AMPS hole pattern.



RAM-HOL-MP1U

## RAM® Handi-Case™

The RAM® Handi-Case™ keeps all of your paperwork, packing slips and other items organized anywhere you need it. Beyond being a writing surface, you get document storage, a tool holder, pen and pencil storage, and the durability to withstand any working environment. A variety of knockout hole patterns make it easy to mount, or secure the RAM® Handi-Case™ flush on any metal surface with additional magnets.



RAM-HC1U



Seen in this photo:  
RAM-HC1U, RAM® Handi-Case™  
RAM-HC1-MAGU, Additional Mounting Magnets

---

# IntelliSkin® With GDS®



Seen in this photo:  
RAM-247U-25, Square Post Clamp with 1.5" Ball  
RAM-201U, Standard Socket Arm for 1.5" Ball  
RAM-202U, AMPS Device Adapter with 1.5" Ball  
RAM-GDS-DOCKL-V2-AP7U, Locking GDS® Vehicle Dock for the Apple iPad mini 4  
RAM-GDS-SKIN-AP7, IntelliSkin® for the Apple iPad mini 4 (shown with tablet)

# IntelliSkin® With GDS®

The perfect charging and docking solution for almost any material handling environment, RAM® Mounts vehicle docks featuring GDS® Technology™ offer a universal platform for any device wrapped in a IntelliSkin® sleeve. IntelliSkin® offers drop protection and uses ruggedized external contacts to allow for repetitive docking, with no need to deal with charging cables.



RAM-GDS-DOCKL-V2-SAM21U

RAM-GDS-DOCK-V1U



The Distinctive D Shape™



Universal docking with the distinctive GDS® "D" product shape



# IntelliSkin® With GDS®

Apple



Seen in this photo:  
RAM-247U-25, Square Post Clamp with 1.5" Ball  
RAM-201U, Standard Socket Arm for 1.5" Ball  
RAM-202U, AMPS Device Adapter with 1.5" Ball  
RAM-GDS-DOCKL-V2-AP8U, Locking GDS® Vehicle Dock for the Apple iPad 5th Gen  
RAM-GDS-SKIN-AP15, IntelliSkin® for the Apple iPad 5th Gen (shown with tablet)



# IntelliSkin® With GDS®



## Apple

RAM® Mounts offers several GDS® solutions for the Apple iPad. Start by choosing a compatible IntelliSkin® and then choose a GDS® vehicle dock to keep your iPad charged, secured and accessible.

Device	Intelliskin®	Locking Vehicle Dock	GDS® HandStand™ Compatible	Shoulder Strap Compatible	Compatible Ball
Apple iPad mini 2 and 3	RAM-GDS-SKIN-AP2	RAM-GDS-DOCKL-V2-AP2U			RAM-202U
Apple iPad mini 4	RAM-GDS-SKIN-AP7	RAM-GDS-DOCKL-V2-AP7U	•	•	RAM-202U
Apple iPad Air 2	RAM-GDS-SKIN-AP8	RAM-GDS-DOCKL-V2-AP8U	•	•	RAM-202U
Apple iPad Pro 9.7	RAM-GDS-SKIN-AP12	RAM-GDS-DOCKL-V2-AP8U	•	•	RAM-202U
Apple iPad (5th & 6th Gen)	RAM-GDS-SKIN-AP15	RAM-GDS-DOCKL-V2-AP8U	•	•	RAM-202U
Apple iPad Pro (10.5")	RAM-GDS-SKIN-AP16	RAM-GDS-DOCKL-V2-AP16U	•	•	RAM-202U
Apple iPad Pro 12.9 (1st & 2nd Gen)	RAM-GDS-SKIN-AP11U	RAM-GDS-DOCKL-V2-AP11U	•	•	RAM-202U



# IntelliSkin® With GDS®

Samsung



Seen in this photo:  
RAM-GDS-SKIN-SAM27, IntelliSkin® for the Samsung Tab S3 9.7 (shown with tablet)

# IntelliSkin® With GDS®

## Samsung

If you depend on Samsung phones or tablets, RAM® Mounts has you covered with a wide variety of IntelliSkin®, vehicle docks and accessories. First, choose a compatible IntelliSkin® for your device and then choose a compatible vehicle dock and compatible accessories.



RAM-GDS-SKIN-SAM28



RAM-GDS-SKIN-SAM21

### Phone

Device	Intelliskin®	Vehicle Dock	Compatible Ball
Galaxy S5	RAM-GDS-SKIN-SAM7U	RAM-GDS-DOCK-V1U	RAM-B-238U
Galaxy S6	RAM-GDS-SKIN-SAM14U	RAM-GDS-DOCK-V1U	RAM-B-238U
Galaxy S7	RAM-GDS-SKIN-SAM22	RAM-GDS-DOCK-V1U	RAM-B-238U
Galaxy J3 (2016)	RAM-GDS-SKIN-SAM25	RAM-GDS-DOCK-V1U	RAM-B-238U
Galaxy S8	RAM-GDS-SKIN-SAM28	RAM-GDS-DOCK-V1CU	RAM-B-238U
Galaxy S8+	RAM-GDS-SKIN-SAM30	RAM-GDS-DOCK-V1CU	RAM-B-238U
Galaxy J3 (2017)	RAM-GDS-SKIN-SAM31	RAM-GDS-DOCK-V1U	RAM-B-238U
Galaxy J7 (2017)	RAM-GDS-SKIN-SAM32	RAM-GDS-DOCK-V1U	RAM-B-238U
Galaxy S9	RAM-GDS-SKIN-SAM39	RAM-GDS-DOCK-V1CU	RAM-B-238U
Galaxy Xcover 4	RAM-GDS-SKIN-SKIN37	RAM-GDS-DOCK-V1U	RAM-B-238U

### Tablet

Device	Intelliskin®	Locking Vehicle Dock	GDS® HandStand™ Compatible	Shoulder Strap Compatible	Compatible Ball
Galaxy Tab S 8.4	RAM-GDS-SKIN-SAM9U	RAM-GDS-DOCKL-V2-SAM9U	•	•	RAM-202U
Galaxy Tab 4 7.0	RAM-GDS-SKIN-SAM11U	RAM-GDS-DOCKL-V2-SAM11U			RAM-202U
Galaxy Tab 4 8.0	RAM-GDS-SKIN-SAM12U	RAM-GDS-DOCKL-V2-SAM12U	•	•	RAM-202U
Galaxy Tab 4 10.1	RAM-GDS-SKIN-SAM13U	RAM-GDS-DOCKL-V2-SAM13U	•	•	RAM-202U
Galaxy Tab A 9.7	RAM-GDS-SKIN-SAM15U	RAM-GDS-DOCKL-V2-SAM15U	•	•	RAM-202U
Galaxy Tab A 8.0	RAM-GDS-SKIN-SAM16U	RAM-GDS-DOCKL-V2-SAM16U	•	•	RAM-202U
Galaxy Tab A 8.0 2017	RAM-GDS-SKIN-SAM35	RAM-GDS-DOCKL-V2-SAM35U	•	•	RAM-202U
Galaxy Tab Active 8.0	RAM-GDS-SKIN-SAM17U	RAM-GDS-DOCKL-V2-SAM17U			RAM-202U
Galaxy Tab S2 8.0	RAM-GDS-SKIN-SAM18U	RAM-GDS-DOCKL-V2-SAM18U	•	•	RAM-202U
Galaxy Tab S2 9.7	RAM-GDS-SKIN-SAM19U	RAM-GDS-DOCKL-V2-SAM19U	•	•	RAM-202U
Galaxy Tab E 9.6	RAM-GDS-SKIN-SAM20U	RAM-GDS-DOCKL-V2-SAM20U	•	•	RAM-202U
Galaxy Tab E 8.0	RAM-GDS-SKIN-SAM21	RAM-GDS-DOCKL-V2-SAM21U	•	•	RAM-202U
Galaxy Tab A 10.1	RAM-GDS-SKIN-SAM23	RAM-GDS-DOCKL-V2-SAM23U	•	•	RAM-202U
Galaxy Tab A 7.0	RAM-GDS-SKIN-SAM24	RAM-GDS-DOCKL-V2-SAM24U	•	•	RAM-202U
Galaxy Tab A 10.1 with S Pen	RAM-GDS-SKIN-SAM26	RAM-GDS-DOCKL-V2-SAM23U	•	•	RAM-202U
Galaxy Tab S3 9.7	RAM-GDS-SKIN-SAM27	RAM-GDS-DOCKL-V2-SAM27U	•	•	RAM-202U
Galaxy Tab Active2	RAM-GDS-SKIN-SAM29	RAM-GDS-DOCKL-V2-SAM29U			RAM-202U
Galaxy Tab Active2	RAM-GDS-SKIN-SAM29HS	RAM-GDS-DOCKL-V2-SAM29HSU	•	•	RAM-202U
Galaxy Tab A 8.0 (2017)	RAM-GDS-SKIN-SAM35	RAM-GDS-DOCKL-V2-SAM35U	•	•	RAM-202U

# IntelliSkin® With GDS®

---

## Desktop Dock



Seen in this photo:  
RAM-GDS-DOCK-D1U, GDS® Desktop Dock Pro  
RAM-GDS-SKIN-AP15, IntelliSkin® for the Apple iPad 5th Gen (shown with tablet)

# IntelliSkin® With GDS®

## Desktop Dock - Single Port

Keep your IntelliSkin®-wrapped devices charged and data synced with these low-profile desktop docks. Choose the compatible dock for your device's data transfer and power capabilities using the chart below.



RAM-GDS-DOCK-D1U

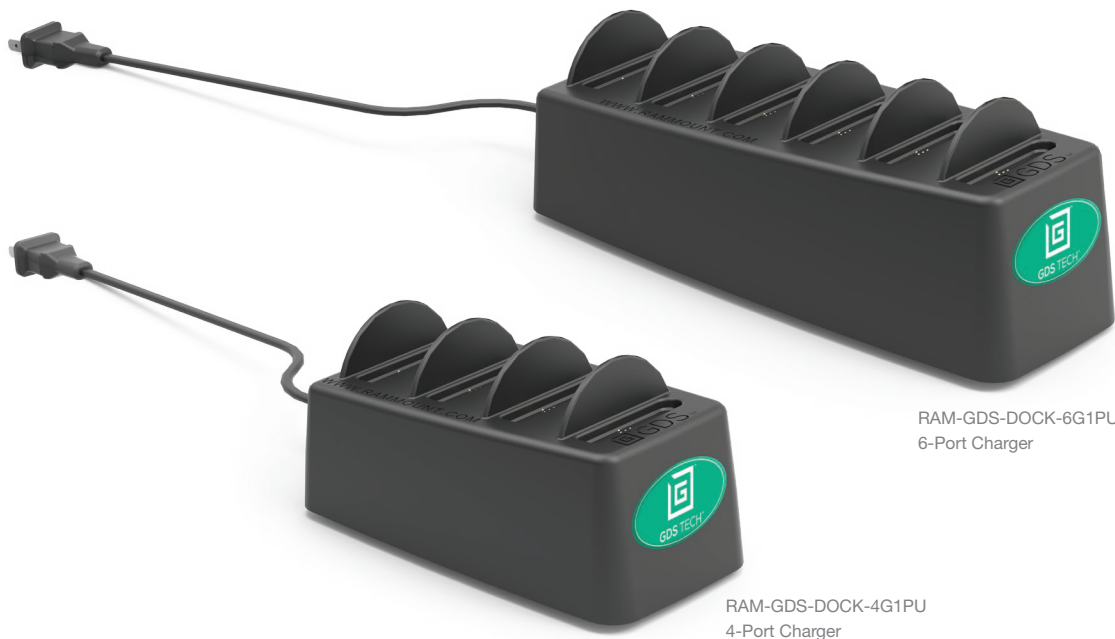


RAM-GDS-DOCK-D2U

Part Number	Description	Power Specs	Dimensions
RAM-GDS-DOCK-D1U	Desktop Dock Pro	Micro USB 3.0 5V-12V @ 2A	4.625" x 4.625"
RAM-GDS-DOCK-D2U	Desktop Dock	Micro USB 2.0 5V-12V @ 2A	3" x 2"
RAM-GDS-DOCK-D2CU	Desktop Dock	USB Type-C 5V @ 3A 5V @ 3A 12V @ 1.5A 12V @ 3A	3" x 2"
RAM-GDS-DOCK-D1AU	Adjustable Desktop Dock	Micro USB 3.0 5V-12V @ 2A	5.5" x 4.75"

## Desktop Dock - 4-Port or 6-Port

Charge anywhere from four to six IntelliSkin®-wrapped devices through this multi-port dock with integrated power supply. These low-profile, charge-only solutions plug into any 110V wall plug and are compatible with any 220V system with the use of an adapter.



RAM-GDS-DOCK-6G1PU  
6-Port Charger

RAM-GDS-DOCK-4G1PU  
4-Port Charger

# IntelliSkin® With GDS®



Seen in this photo:  
RAM-GDS-DOCK-G7U, GDS® Slide Dock™ with IntelliSkin® for the iPad Air 2 (shown with tablet)

# IntelliSkin® With GDS®

## GDS® Slide Dock™

The GDS® Slide Dock™ charger creates a modular and interchangeable solution for charging carts and cabinets. The dock is adjustable to accommodate virtually any tablet wrapped in an IntelliSkin®.



RAM-GDS-DOCK-G7U

Part Number	Description
RAM-GDS-DOCK-G7U	Drill-down attachment
RAM-GDS-DOCK-G7MU	Magnetic attachment

## Shoulder Strap

With the Shoulder Strap accessory, comfortably carry your IntelliSkin®-wrapped tablet and easily swap devices using the strap's snap hooks.



RAM-GDS-SS1U  
Attaches to any IntelliSkin® wrapped device with shoulder strap attachments

## GDS® Snap-Con™

With the GDS® Snap-Con™ to mUSB 2.0 adapter, use a mUSB 2.0 cable to quickly charge and sync any device in an IntelliSkin® when a GDS® dock is unavailable.



RAM-GDS-AD2U



RAM-GDS-DOCK-AD2U  
(compatible with the RAM-GDS-AD2U)



RAM-GDS-AD3CU

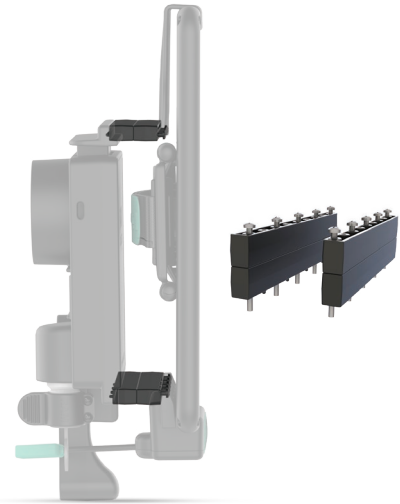
# IntelliSkin® With GDS®

## GDS® HandStand™ and Risers

The GDS® HandStand™ features a hand strap that allows the device to be rotated 360-degrees so you can achieve the ideal viewing angle. Meanwhile, an integrated kick stand allows for propping up your device at your desk. Using Stand Off Risers, you can offset your vehicle docks and end cups by 1" – giving you room to mount the GDS® HandStand™ when docked.



RAM-GDS-HS1U  
Compatible with any IntelliSkin® which features the unique circular interface on the back



RAM-HOL-TAB-RISER2U  
Attaches to GDS® Vehicle Docks.  
This product is required to fit any IntelliSkin® with GDS® HandStand™ into a vehicle dock



Seen in this photo:  
RAM-GDS-SKIN-SAM27, IntelliSkin® for the Samsung Tab S3 9.7 (shown with tablet)  
RAM-GDS-HS1U, GDS® HandStand™ for IntelliSkin®



# IntelliSkin® With GDS®

Choose from a variety of power options for your GDS® enabled devices and docks, including Step Down Converter Chargers, a 6-Port USB Charger and 2-Port USB Cigarette and Wall Chargers.

Part Number	Charger Type	Input Range	Output	Output Connector Type	Compatible Devices
RAM-GDS-CHARGE-USB2W	2-port wall charger	100-240V 50/60Hz	5V/2.4A Per Port 24W Max	2 Qty USB-A Female	Any 5V device with a current requirement of 2.4A or less
RAM-GDS-CHARGE-USB2HCIG	2-port cig charger	12-24VDC	5V/2.4A Per Port 24W Max	2 Qty USB-A Female	Any 5V device with a current requirement of 2.4A or less
RAM-GDS-CHARGE-USB2QCCIG	2-port cig charger with Quick Charge support	12-18VDC	Quick Charge 3.0(18W)	2 Qty USB-A Female	Any 5V device with a current requirement of 2.4A or less Includes support of Apple iOS 2.1/2.4A devices and support for Qualcomm Quick Charge 2.0/3.0 devices
RAM-GDS-CHARGE-V5U	mUSB hardwire	8-40VDC	5V (USB 2.0) - 9V (QC) 2.5A Max	1.2 M cable with Micro-B USB Male	Any 5V device with a current requirement of 2.5A or less Includes support of Apple iOS 2.1/2.4A devices and support for Qualcomm Quick Charge 2.0/3.0 devices
RAM-GDS-CHARGE-V6U	USB Type-A hardwire	8-40VDC	5V (USB 2.0) - 9V (QC) 2.5A Max	1.2 M cable with USB-A Female	Any 5V device with a current requirement of 2.5A or less Includes support of Apple iOS 2.1/2.4A devices and support for Qualcomm Quick Charge 2.0/3.0 devices
RAM-GDS-CHARGE-USB6	6-port charger	100-240V 50/60Hz	5V/2.4A Per Port 60W Max	6 Qty USB-A Female	Any 5V device with a current requirement of 2.4A or less
RAM-GDS-CHARGE-V3CU	USB Type-C hardwire	12-24VDC	5V/3A; 9V/3A; 12V/3A 36W Max	1.2 M cable with USB-C Female	Any device supporting Power Delivery up to 36W
RAM-GDS-CHARGE-USB3CW	USB Type-C wall charger	100-240V 50/60Hz	5V/3A; 9V/3A; 12V/3A; 15V/3A; 20V/2.25A 45W Max	USB-C Female	Any device supporting Power Delivery up to 45W
RAM-GDS-CHARGE-CIGC	USB Type-A and Type-C cig charger	12-24VDC	USB-A: 5V/2.4A; 9V/2A; 12V/1.5A USB-C: 5V/3A; 9V/2A; 12V/2.4A; 47W Max	USB-A Female USB-C Female	USB-A: Any 5V device with a current requirement of 2.4A or less. Includes support for Qualcomm Quick Charge 2.0 devices USB-C: Devices supporting Power Delivery up to 28W



RAM-GDS-CHARGE-USB2HCIG



RAM-GDS-CHARGE-V5U

## Think Outside The Warehouse



RAM® No-Drill™ Laptop Mount



RAM® X-Grip® Suction Cup Mount



Seen in this photo:  
RAM-VB-193-SW1, RAM® No-Drill™ Laptop Mount  
(shown with Panasonic Toughbook)



Seen in this photo:  
RAM-B-166-UN7U, RAM® Twist-Lock™ Suction Cup Mount with  
RAM® X-Grip® (shown with iPhone 7)

# Think Outside The Warehouse

After product leaves the warehouse, RAM® Mounts is there for the long haul. From laptop and GPS cradles to locking vehicle mounts to ELD mandate bundle solutions, RAM® has long been a trusted partner in the transportation and logistics industry. These in-cab systems provide delivery trucks and large fleets with the tools they need to get the job done everyday. Our durable mounting solutions are the most versatile of their kind, allowing customers to scale without spending money on entire new systems.

You can always feel confident knowing that RAM® Mounts are backed by a lifetime warranty. We believe in the product so much that we're confident it can support nearly any mounting need you have. If you have a custom mounting need, get in touch with our agriculture mounting experts at [sales@rammount.com](mailto:sales@rammount.com).



RAM® Tab-Lock™ Locking Cradle Dash Mount



Seen in this photo:  
RAM-B-101U-225B, Double Ball Mount With Dashboard Backing Plate  
RAM-GDS-DOCKL-V2-SAM16U, GDS® Locking Vehicle Dock for the Samsung Galaxy Tab A 8.0  
RAM-GDS-SKIN-SAM16U, IntelliSkin® for the Samsung Galaxy Tab A 8.0 (shown with tablet)

## Partner Highlight



RAM® Mounts supplies compatible mounting solutions for Crown Work Assist Accessories.



Shown with Honeywell CV6I



RAM® Mounts provides integrated mounts for Raymond's iWarehouse® solution and aftermarket Raymond accessories.



Shown with iWarehouse Light and Fan

## Partner Highlight

# Honeywell

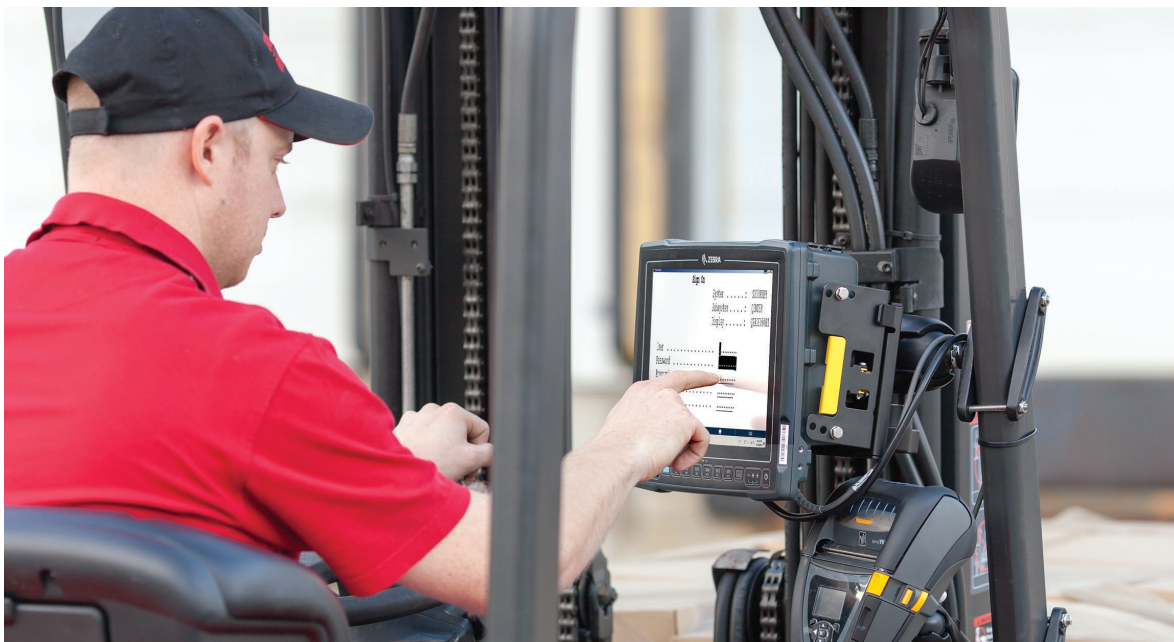
Integrated at the OEM level, RAM® Mounts supplies Honeywell with custom mounting components.



Shown with Honeywell Thor VM3 and Granit Series Scanner



RAM® Mounts is also proud to supply custom mounting solutions to Zebra Technologies.



Shown with Zebra VC80 and QL420 printer

## Partner Highlight



RAM® Mounts provides the preferred mounting solution for the Datalogic Rhino II™ vehicle computer.



Shown with Datalogic Rhino II™



RAM® Mounts manufactures cradles for both the PocketJet® and RuggedJet® lines of mobile printers.



Shown with Brother RuggedJet® printer

## Partner Highlight



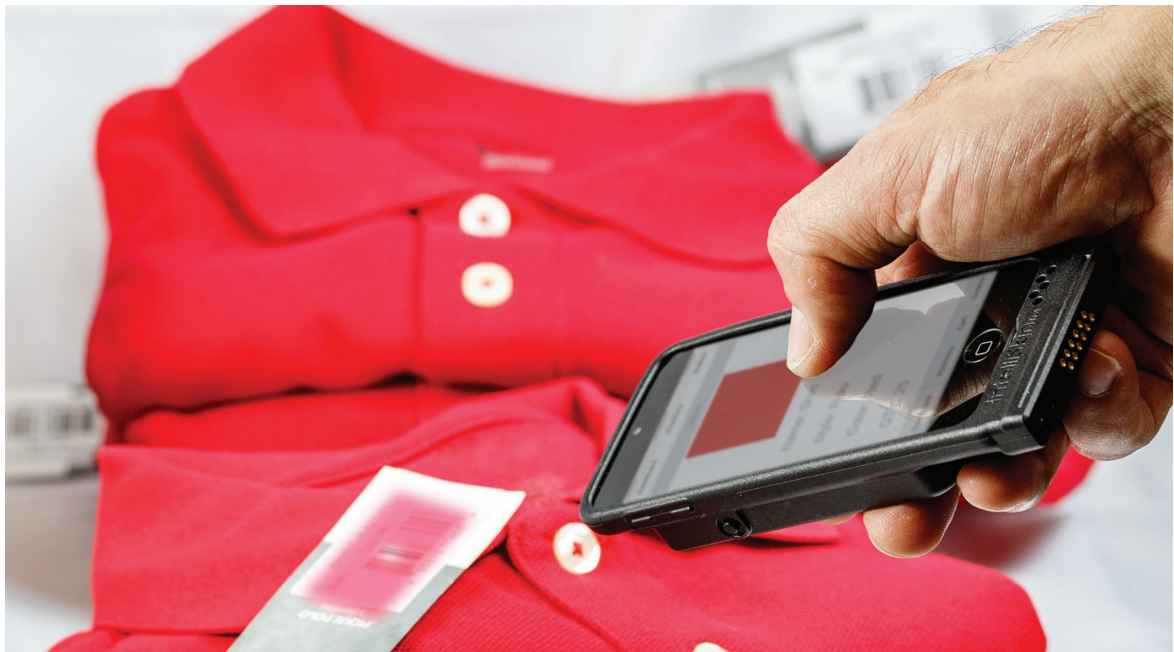
RAM® Mounts created a custom mounting solution for I.D. Systems' VAC4 Vehicle Asset Communicator®.



Shown with I.D. Systems' VACA4 Vehicle Asset Communicator®



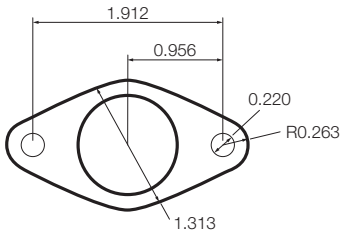
Utilizing IntelliSkin® with GDS Technology™, Socket Mobile's Duracase is a one-handed barcode scanning solution that charges the device and scanner simultaneously.



Shown with Socket Mobile's Duracase

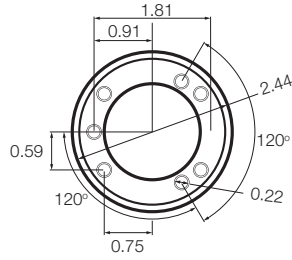
# Drawings

Drawing 1



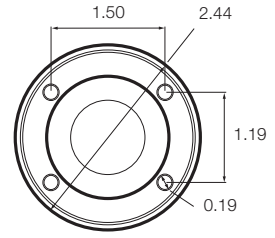
RAM-B-238U  
RAM-238U

Drawing 2



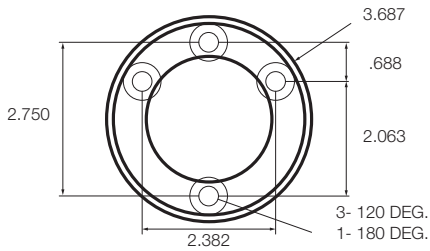
RAM-B-202U  
RAM-202U  
RAM-202U-IN1

Drawing 3



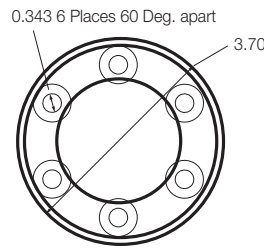
RAM-D-254U

Drawing 4



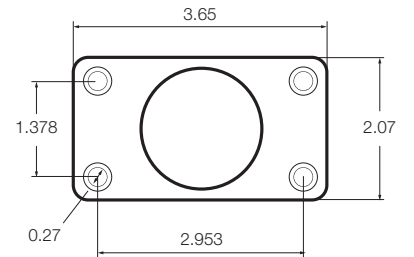
RAM-D-202U  
RAM-D-202U-IN1  
RAM-E-202U  
RAM-E-202U-IN1

Drawing 5



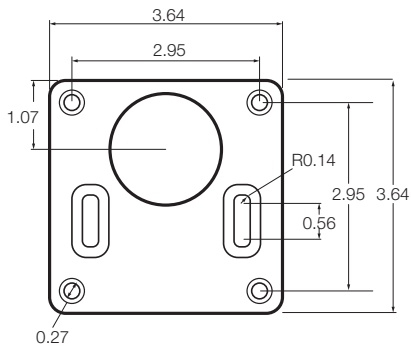
RAM-D-202U-SYM1  
RAM-E-202U-SYM1

Drawing 6



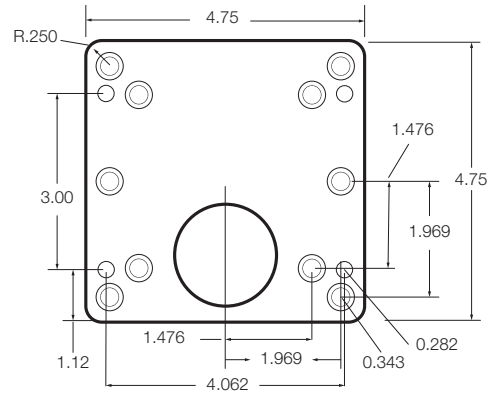
RAM-2462U  
RAM-D-2462U

Drawing 7



RAM-2461U  
RAM-2461U-IN1  
RAM-D-2461U

Drawing 8

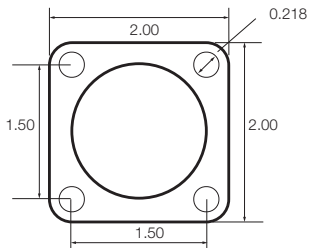


RAM-246U  
RAM-D-246U  
RAM-D-246U-IN1  
RAM-E-246U  
RAM-E-246U-IN1



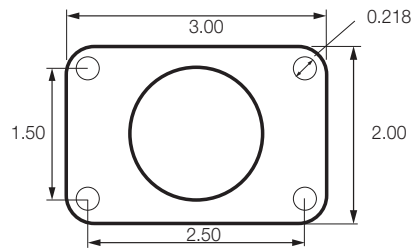
# Drawings

Drawing 9



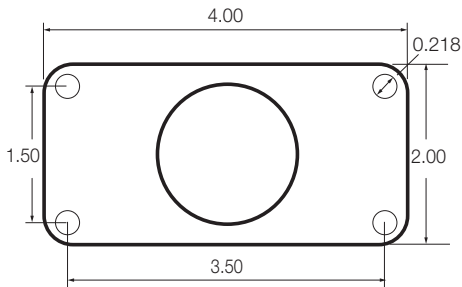
RAM-202U-22  
RAM-D-202U-22

Drawing 10



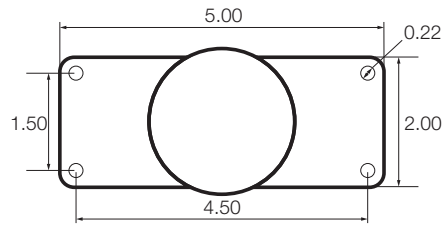
RAM-202U-23  
RAM-D-202U-23

Drawing 11



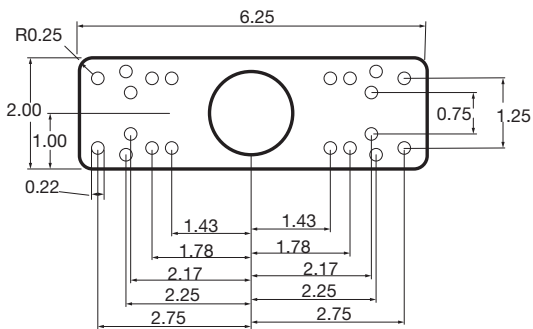
RAM-202U-24  
RAM-D-202U-24

Drawing 12



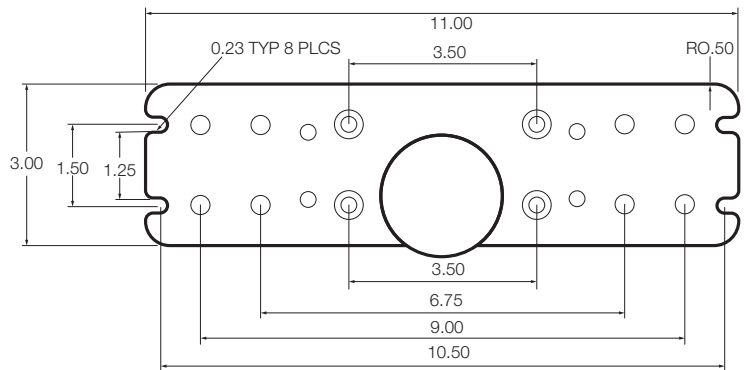
RAM-202U-25  
RAM-D-202U-25

Drawing 13



RAM-111BU

Drawing 14



RAM-137BU  
RAM-D-111BU

# Compatibility Guide

## Advantech DLoG

Device Type	Model	Holder	Ball Adapter
Display	DLT-V8310	N/A	RAM-D-2461U
Display	DLT-V8312	N/A	RAM-D-2461U
Display	MTC 6/10	N/A	RAM-D-2461U
Display	MTC 6/12	N/A	RAM-D-2461U
Display	MTC 6/15	N/A	RAM-D-2461U
Display	PWS-870	N/A	RAM-D-2461U
Display	TREK 723	N/A	RAM-202U
Display	TREK 773	N/A	RAM-D-2461U
Display	XMT 5/7	N/A	RAM-D-2461U
Display	XMT 5/10	N/A	RAM-D-2461U

## AML

Device Type	Model	Holder	Ball Adapter
Display	Guardian	N/A	RAM-202U
Display	Phoenix	N/A	RAM-202U

## Datalogic

Device Type	Model	Holder	Ball Adapter
Display	Rhino II	N/A	RAM-D-2461U
Handheld	Falcon FX3	RAP-317U	RAM-202U
Handheld	Falcon FX3	OEM cradle (94A151131)	RAM-202U
Handheld	PowerScan	RAP-396U	RAM-202U
Handheld	Skorpio X3	RAP-317U	RAM-202U
Handheld	Skorpio X3	OEM cradle (94A150041)	RAM-202U

## Glacier Computer

Device Type	Model	Holder	Ball Adapter
Display	Everest S9000	N/A	RAM-D-246U
Display	Kodiak	N/A	RAM-D-246U

For the most up to date compatibility guide, visit [rammount.com/vb-kits](http://rammount.com/vb-kits)

# Compatibility Guide

## Honeywell

Device Type	Model	Holder	Ball Adapter
Display	CV41	N/A	RAM-D-254U
Display	CV61	N/A	RAM-D-202U
Display	Thor CV31	N/A	RAM-D-202U
Display	Thor VM1	N/A	RAM-D-254U
Display	Thor VM2	N/A	RAM-D-254U
Display	Thor VM3	N/A	RAM-D-254U
Display	Thor VX9	N/A	RAM-D-202U
Handheld	Dolphin 70e	RAM-HOL-UN7BU	N/A
Handheld	Dolphin 99GX	RAP-317U	RAM-202U
Handheld	Dolphin 99GX	OEM cradle (99EX-MB-12)	RAM-202U
Handheld	Dolphin CT50	RAM-HOL-UN10BU	N/A
Handheld	Dolphin CT50	OEM cradle (CT50-MB-0)	RAM-202U
Handheld	Dolphin CT50	OEM powered cradle (CT50-MB-1)	RAM-202U
Handheld	Granite 1911 Series	RAP-396U	RAM-202U
Handheld	Intermec CK3	RAM-HOL-SUR1U	RAM-202U
Handheld	Intermec CK3X/CK3R	RAP-317U	RAM-202U
Handheld	Intermec CK3X/CK3R	OEM cradle (871-231-102)	RAM-202U
Handheld	Intermec CK3X/CK3R	OEM cradle (871-236-001)	RAM-202U
Handheld	Intermec CN3/CN4	RAM-HOL-UN11PU	RAM-202U
Handheld	Intermec CN3/CN4	RAM-HOL-IN11PEBU	RAM-202U
Handheld	Intermec CN3/CN4	RAM-HOL-IN11PECU	RAM-202U
Handheld	Intermec CN3/CN4	RAM-HOL-IN11U	RAM-202U
Handheld	Intermec CN50/CN51	RAM-HOL-IN19PBU	RAM-202U
Handheld	Intermec CN50/CN51	RAM-HOL-IN19PCU	RAM-202U
Handheld	Intermec CN50/CN51	RAM-HOL-IN19U	RAM-202U
Handheld	Intermec CK70/CK71	RAP-317U	RAM-202U
Handheld	Intermec CK70/CK71	OEM dock (871-035-001)	RAM-202U
Handheld	Intermec CK70/CK71	OEM cradle (805-672-001)	RAM-202U
Handheld	Intermec CN70/CN70e	RAP-317U	RAM-202U
Handheld	Intermec CN70/CN70e	OEM dock (871-034-001)	RAM-202U
Handheld	Intermec CN70/CN70e	OEM cradle (805-672-001)	RAM-202U
Handheld	Vocollect A700 Series	Vehicle Mount Talkman (VMT)	RAM-B-202U

## JLT Mobile Computers

Device Type	Model	Holder	Ball Adapter
Display	JLT1214P/N	N/A	RAM-D-2461U
Display	MT1010	N/A	RAM-D-246U
Display	Verso+ 10	N/A	RAM-D-2461U
Display	Verso 12	N/A	RAM-D-2461U
Display	Verso 15	N/A	RAM-D-2461U

For the most up to date compatibility guide, visit [rammount.com/vb-kits](http://rammount.com/vb-kits)

# Compatibility Guide

## MobileDemand

Device Type	Model	Holder	Ball Adapter
Display	xTablet Flex 8	OEM Snap Mount	RAM-202U
Display	xTablet Flex 10	OEM Snap Mount	RAM-202U
Display	xTablet T1200	OEM vehicle dock	RAM-D-202U
Display	xTablet T1200	OEM vehicle cradle	RAM-D-202U
Display	xTablet T1400	OEM cradle	RAM-2461U
Display	xTablet T1600	OEM vehicle cradle	RAM-2461U
Display	xTablet T7200	OEM cradle	RAM-202U

## noax Technologies

Device Type	Model	Holder	Ball Adapter
Display	C12 Industrial PC	N/A	RAM-D-2461U
Display	C15 Industrial PC	N/A	RAM-D-2461U

## Panasonic

Device Type	Model	Holder	Ball Adapter
Display	Toughbook CF-19	RAM-234-PAN2	RAM-D-2461U
Display	Toughbook CF-H2	RAM-HOL-PAN5U	RAM-2461U
Display	Toughbook CF-H2	RAM-HOL-PAN5PU	RAM-2461U
Display	Toughpad FZ-A1	RAM-HOL-TABL10U	RAM-202U
Display	Toughpad FZ-B2	RAM-HOL-TABL12U	RAM-202U
Display	Toughpad FZ-G1	RAM-HOL-TABL19U	RAM-202U
Display	Toughpad FZ-M1	RAM-HOL-TABL12U	RAM-202U
Display	Toughpad FZ-Q1	RAM-234-3	RAM-202U
Display	Toughpad FZ-R1	RAM-234-3	RAM-202U

## Winmate

Device Type	Model	Holder	Ball Adapter
Display	FM10	N/A	RAM-D-2461U
Display	M700	N/A	RAM-2461U
Display	M970D	N/A	RAM-2461U
Display	M9020	N/A	RAM-202U

## Xplore Technologies

Device Type	Model	Holder	Ball Adapter
Display	Bobcat	OEM cradle (xDock G2)	RAM-2461U
Display	Motion CL920	CL-Series locking mobile dock	RAM-2461U
Display	Motion CL920	OEM mounting plate	RAM-2461U
Display	Motion F5m	RAM-HOL-MOT9U	RAM-2461U
Display	Motion F5m	RAM-HOL-MOT9PU	RAM-2461U
Display	Motion F5m	RAM-HOL-MOT9PU-USB	RAM-2461U
Display	Motion R12	OEM cradle	RAM-2461U
Display	XC6 Series	XDock Pro Holder	RAM-2461U
Display	XC6 Series	XDim Pro Holder	RAM-2461U

For the most up to date compatibility guide, visit [rammount.com/vb-kits](http://rammount.com/vb-kits)

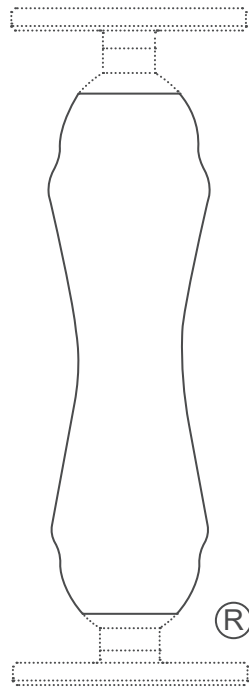
# Compatibility Guide

## Zebra

Device Type	Model	Holder	Ball Adapter
Display	8585 Vehicle Mounted Computer	N/A	RAM-D-246U
Display	ET1 Enterprise Tablet	RAM-HOL-TABL4U	RAM-202U
Display	ET50/55 8.3"	3rd party cradle	RAM-202U
Display	ET50/55 8.3"	3rd party cradle	RAM-2461U
Display	ET50/55 10.1"	RAM-HOL-TABL25U	RAM-202U
Display	VC70N0	N/A	RAM-D-2461U-MOTO7B
Display	VC70N0	N/A	RAM-D-2461U-MOTO7
Display	VC80	N/A	RAM-D-202U-23
Display	VH10	N/A	RAM-D-202U-23
Handheld	DS3500 Series	RAP-396U	RAM-202U
Handheld	DS3608	RAP-396U	RAM-202U
Handheld	EP10	OEM cradle (ep10-rv1000)	RAM-202U
Handheld	EP10	OEM cradle (ep10-rv1005)	RAM-202U
Handheld	LI3608/3678	RAP-396U	RAM-202U
Handheld	LS3408	RAP-396U	RAM-202U
Handheld	MC40	RAM-HOL-UN10BU	N/A
Handheld	MC45	RAM-HOL-UN7BU	N/A
Handheld	MC45	OEM cradle (VCD45XX-1000R)	RAM-B-202U-MOTO2
Handheld	MC55	RAM-HOL-UN10BU	N/A
Handheld	MC55	RAM-HOL-SYM3U	RAM-202U
Handheld	MC55	RAM-HOL-SYM3PU	RAM-202U
Handheld	MC55	RAM-HOL-SYM3PECU	RAM-202U
Handheld	MC55	RAM-HOL-SYM3PEC-1U	RAM-202U
Handheld	MC55	RAM-HOL-SYM3PE-RAY1U	RAM-202U
Handheld	MC67	RAM-HOL-UN10BU	N/A
Handheld	MC67	RAM-HOL-SYM3U	RAM-202U
Handheld	MC67	RAM-HOL-SYM3PU	RAM-202U
Handheld	MC67	RAM-HOL-SYM3PECU	RAM-202U
Handheld	MC67	RAM-HOL-SYM3PEC-1U	RAM-202U
Handheld	MC67	RAM-HOL-SYM3PE-RAY1U	RAM-202U
Handheld	MC9200	RAP-317U	RAM-202U
Handheld	MC9190-Z	RAP-317U	RAM-202U
Handheld	MT2000	RAP-396U	RAM-202U
Handheld	Omnii XT15	OEM cradle (ST1000)	RAM-202U
Handheld	Omnii XT15	OEM cradle (ST1002)	RAM-202U
Handheld	TC51/TC56	RAM-HOL-UN7BU	N/A
Handheld	TC51/TC56	OEM cradle (CRD-TC56-VCVD1-01)	RAM-B-238U
Handheld	TC55	RAM-HOL-UN10BU	N/A
Handheld	TC55	OEM cradle (GRD-TC55-VCD1-01)	RAM-B-202U-MOTO2
Handheld	TC70	RAM-HOL-UN4U	RAM-B-238U
Handheld	TC70	OEM cradle (GRD-TC7X-CVCD1-01)	RAM-B-238U
Handheld	TC75	RAM-HOL-UN4U	RAM-B-238U
Handheld	TC75	OEM cradle (GRD-TC7X-CVCD1-01)	RAM-B-238U
Handheld	TC8000	OEM cradle	RAM-B-202U
Handheld	Workabout Pro 4	OEM cradle (WA1210-G2)	RAM-202U
Handheld	Workabout Pro 4	OEM cradle (WA1310-G2)	RAM-202U

For the most up to date compatibility guide, visit [rammount.com/vb-kits](http://rammount.com/vb-kits)

# The Shape That Started It All



RAM® double socket arms with their distinctive Hourglass Shape are recognized globally as a symbol of the reliability, quality and durability of this line of products. The Hourglass Shape is a registered trademark of National Products Inc.

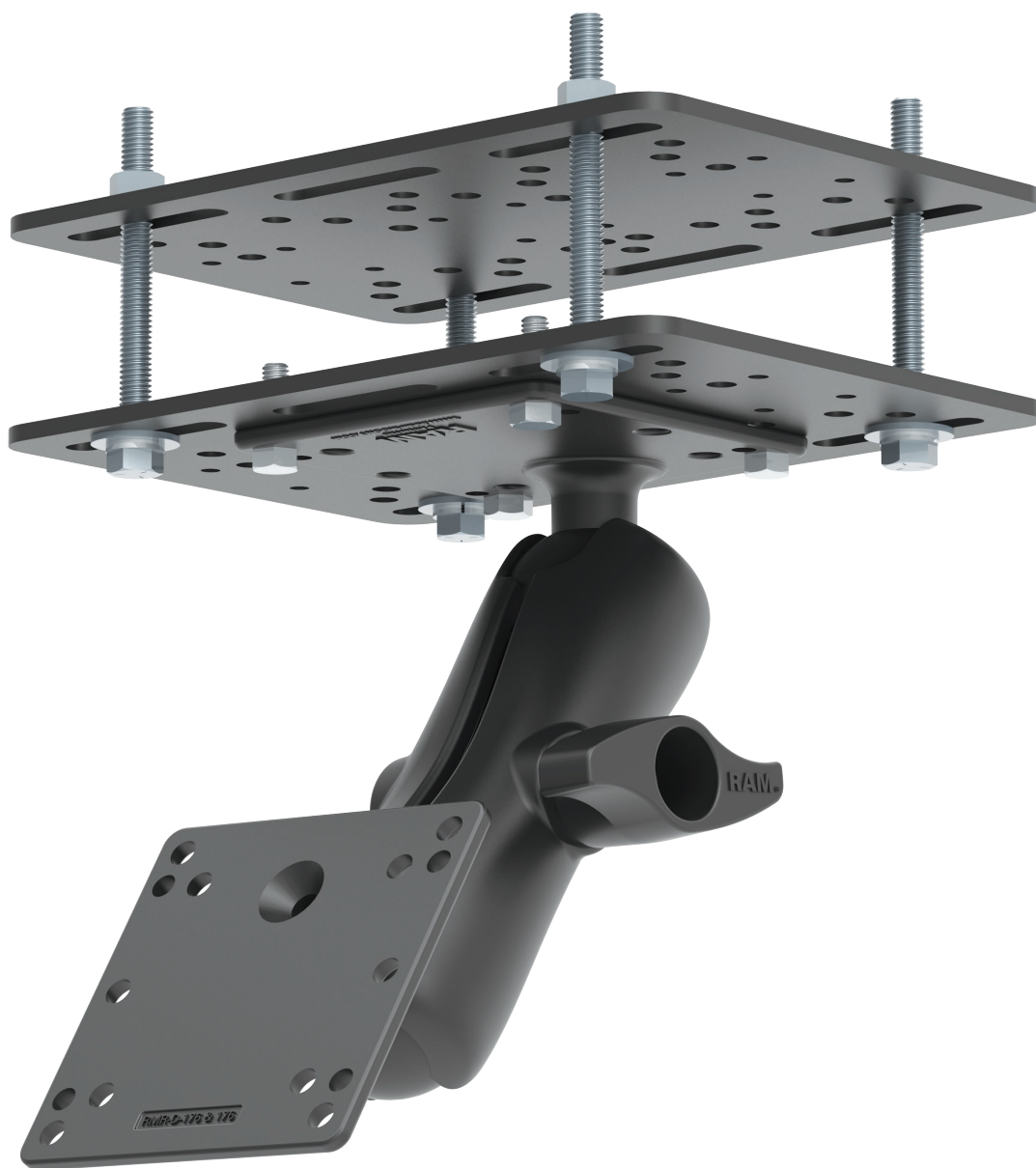
The unique RAM® Mounts system offers a full line of interchangeable mounting bases, extensions, device adapters and accessories to secure your gear where you want it. See all of the innovative products and solutions RAM® manufactures at [rammount.com](http://rammount.com).



The distinctive RAM® "X-Grip" product shape is a trademark of National Products Inc.



The distinctive "D" product shape of the GDS® connector is a trademark of National Products Inc.



---

RAM® Mounts is a division of National Products Inc.  
8410 Dallas Avenue South  
Seattle, WA 98108  
Phone: 800.497.7479  
sales@rammount.com  
rammount.com

Lifetime Warranty  
Patents and Trademarks  
rammount.com/ip



**RAM<sup>®</sup>  
MOUNTS**



### Contact Us

[sales@rammount.com](mailto:sales@rammount.com)

1-800-497-7479

### Join Our Community



NPI-CAT-MATHAND17  
DECEMBER 2017