



**RAM<sup>®</sup>**  
**MOUNTS**

Paddlesports



# About RAM<sup>®</sup> Mounts

---

RAM Mounts manufactures rugged and versatile mounting systems for cameras, tablets and other mobile devices that can be attached nearly anywhere. Unlike other mounts on the market, RAM allows you to mount items where you need them most. The unique design of the RAM Mounts system provides quick installation, adjustability, strength, vibration dampening and durability — all at a low cost. RAM uses powder-coated marine-grade aluminum with lightweight and high-strength composites, stainless steel hardware and rubber balls. RAM Mounts are made in the USA and backed by a lifetime warranty.

## The RAM Difference



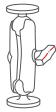
### Made in the USA

Designed and manufactured in Seattle, Washington



### Lifetime Warranty

RAM products are backed by a lifetime warranty against manufacturer's defects for decades of worry-free use



### Modular Design

The rubber ball and socket design offers a secure hold with vibration dampening and component interchangeability



### Designed & Developed In-House

Each RAM Mount is designed in-house using the most advanced industry techniques

# Partner with RAM® Mounts

---

Here at RAM Mounts, we believe that unfathomable things are possible with ingenuity. With a portfolio of over 5,000 SKUs paired with innovative engineers and product experts in-house, we have the tools and expertise needed to create solutions that you didn't know were possible. We have the ability to solve your mounting challenges quickly, efficiently and cost effectively.

No matter your company's size, you can trust RAM Mounts to deliver ingenious solutions that do exactly what you need them to do on the water.



# Made in the USA

---

When you choose RAM® Mounts, you're not only getting a durable and innovative solution – you're investing in the livelihood of someone like you, their families, and the American economy. Behind every RAM product is the work of more than 300 dedicated Americans who design, engineer and hand-assemble in Seattle, WA. Manufacturing in the USA allows us to deliver the highest uncompromising standards of quality and distribution.



# Lifetime Warranty

---

Our philosophy is simple: build the best products available. We stand behind the legendary craftsmanship of our products because we manufacture them to last. You can count on RAM® to partner with you long-term, delivering product support when you need it most. We create the best mounting solutions in the world, built by hand, and backed for life.



# What You Need to Know

---

1

## Why should I choose RAM® Mounts?

For more than two decades, RAM products have been engineered to be rugged and durable. With thousands of interchangeable components to choose from, you can customize your mounting system however you need.

2

## How do I ensure my mount will hold up my fishfinder without it dropping over time or in rough water?

RAM products are thoroughly tested with the latest electronics to ensure fit and ruggedness. We have engineered our mounts to withstand the toughest conditions, and backed them with our lifetime warranty.

3

## Are RAM Mounts compatible with major electronic brands?

We ensure fit with our top partners across multiple product lines such as Lowrance, Humminbird, Raymarine, Garmin, GoPro and others. RAM Mounts is a modular system designed to be interchangeable.

4

## What size do I need?

See the ball selection guide on page 10 to determine the ideal size based on your device's size, weight and environment.

5

## Do RAM Mounts protect my electronics?

All RAM Mounts products are engineered to reduce shock and vibration in the most extreme environments, which can extend the lifespan of your valuable electronics.

6

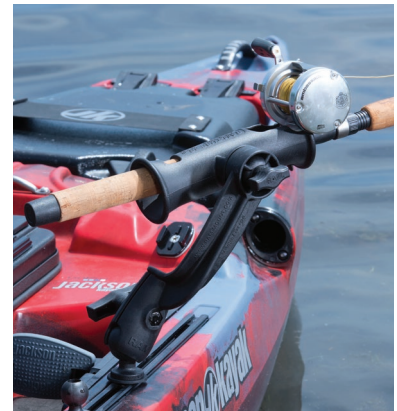
## Will RAM Mounts help me catch more fish?

RAM Mounts provides the tools to help you achieve the results you desire. Our products can secure your fishfinder, keep your rod in place, give you a table to cut your bait on and position your camera to capture all the action.

# Table of Contents

---

- 7 Rigging Map
- 9 Ball and Socket - How It Works
- 11 Ball Bases
- 17 Socket Arms
- 19 Spline Post - How It Works
- 21 Spline Post Base
- 23 Spline Post Extensions
- 25 Fishing Rod Holders
- 31 Lowrance Mounts
- 33 Humminbird Mounts
- 35 Raymarine Mounts
- 37 Garmin Mounts
- 39 Transducer Mounts
- 41 Handheld Device Mounts
- 43 Phone Mounts
- 45 Tablet Mounts
- 47 Action Camera Mounts
- 53 Cup Holder Mounts
- 55 Accessories
- 59 Stand Up Paddleboard Mounts
- 63 Inflatable Watercraft Mounts
- 65 Compatibility Chart
- 66 Drawings Section
- 69 New Products Coming Soon



# Rigging Map

---

Using RAM® mounting solutions, there are countless ways to customize your kayak using tracks and bases to secure your fishfinder, fishing rod, action camera and much more. This map provides inspiration with a recommended example of a common rigging scenario.





# Rigging Map

---

1



Ball Adapter for GoPro®  
pg. 48

2



RAM-ROD®  
pg. 26

3



Tough-Cleat™  
pg. 55

4



Level Cup™ XL  
pg. 54

5



Tough-Tube™ Rod Holder  
pg. 29

6



Tough-Track™  
pg. 69

7



RAM® X-Grip® Phone Mount  
pg. 44

8



Transducer Mount  
pg. 40

9



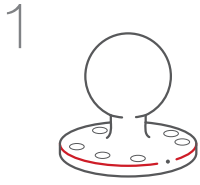
Fishfinder Mount  
pg. 32

10



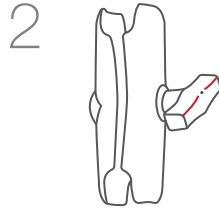
Tough-Pole™ Camera Mount  
pg. 50

# Ball and Socket - How It Works



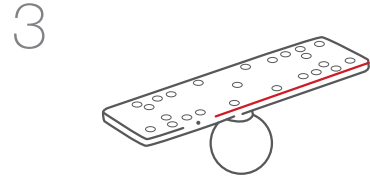
## Choose a **base**

Choose from a variety of bases to help secure your device where you need it.



## Choose an **arm**

Choose an arm based on your desired length and placement.



## Choose a **device adapter**

RAM® offers a wide selection of adapters and cradles for your specific device.



## Modular Solutions for Every Use

### Slip Resistant

The marine-grade aluminum and composite arm provides a strong hold that reduces slip on the rubber ball

### Guaranteed

RAM Mounts offers a lifetime warranty on all mounting hardware

### Made in the USA

Designed and manufactured in the USA using the highest quality materials

### Vibration Dampening

The rubber ball absorbs the impact of rough waves, providing shock and vibration dampening

### Adjustable

With nearly 360 degrees of articulation, each product can be adjusted to any angle with the turn of a single knob

# Ball and Socket - How It Works

---

## Ball Size Selection Guide

Each ball size in the RAM® Mounts rubber ball and socket system supports a different amount of weight and withstands increasingly intense vibration. Use the guide below to determine the ideal size for your system based on your device weight and application. For heavy duty and trolling applications, refer to page 20.



### B Size

- 1" Diameter Ball
- Holds up to 4lbs
- Ideal for cup holders, cameras and fishfinders up to 5"



### C Size

- 1.5" Diameter Ball
- Holds up to 7lbs
- Ideal for tablets, fishing rods and fishfinders up to 7"

# Ball Bases

---

1 RAP-390-RB-TRA1, Tube Jr.™ with Track Ball™ base

2 RAP-B-354-TRA1, 1" Track Ball Base



# Ball Bases

## Track Ball™

Designed to be compatible with all track mounting systems, these bases provide a universal mounting solution for a wide variety of RAM® kayak products including fishing rod holders, action cameras, transducer arms and more. A quick turn of the ball allows the base to slide along tracks, giving you ultimate flexibility in positioning your gear.

The RAP-B-354-TRA1 and RAP-354-TRA1 give you the lowest profile and one-handed operation, while the RAP-B-383 and RAP-383 lock to prevent unintentional rotation. For vertical installs, choose the RAP-354-AAPRU.



RAP-B-354-TRA1

RAP-383

RAP-354-AAPRU

Part Number	Ball Size	Description
RAP-B-354-TRA1	1" (B)	Track Ball base
RAP-354-TRA1	1.5" (C)	Track Ball base
RAP-B-383	1" (B)	Quick Release Track Ball base
RAP-383	1.5" (C)	Quick Release Track Ball base
RAP-354-AAPRU	1.5" (C)	Side Track Ball base

# Ball Bases

---

## Drill-Down Bases

The RAM® Mounts rubber ball is unique to the RAM Mounts system. This innovative rubber ball delivers vibration dampening, nearly 360-degrees of adjustability and the ruggedness that the marine environment demands. RAM ball bases are offered in both marine-grade aluminum and high-strength composite.



RAP-202-225



RAP-B-238



RAM-B-202

Part Number	Ball Size	Material	Plate Size	Hole Pattern
RAP-B-238	1" (B)	High-strength composite	1.3" x 2.5" Diamond	2-Hole AMPs
RAM-B-238	1" (B)	Marine-grade aluminum	1.3" x 2.5" Diamond	2-Hole AMPs
RAP-B-202	1" (B)	High-strength composite	2.5" Diameter	4-Hole AMPs
RAM-B-202	1" (B)	Marine-grade aluminum	2.5" Diameter	4-Hole AMPs
RAP-202	1.5" (C)	High-strength composite	2.5" Diameter	4-Hole AMPs
RAM-202	1.5" (C)	Marine-grade aluminum	2.5" Diameter	4-Hole AMPs
RAP-B-202U-225	1" (B)	High-strength composite	2" x 2.5" Rectangle	1.5" x 2"
RAP-202-225	1.5" (C)	High-strength composite	2" x 2.5" Rectangle	1.5" x 2"

# Ball Bases

---

## Adhesive

This double-sided adhesive PSA stick pad is a great solution for mounting lightweight devices without the need to drill holes. Works on flat and curved surfaces with or without textures and includes a sealed alcohol prep pad.

## Suction Cup

The RAM® Twist-Lock™ Suction Cup features a diamond base and is a popular solution for mounting to any smooth, non-porous surface. Optionally, attach the suction cup to nearly any flat surface using the adhesive round disk.



RAP-B-378



RAM-B-224-1



RAP-350-35B

Part Number	Ball Size	Diameter
RAP-B-378	1" (B)	2.5"

Part Number	Ball Size	Suction Diameter	Accessory Disc
RAM-B-224-1	1" (B)	3.3"	RAP-350-35B

# Ball Bases

## Tough-Claw™

The RAM® Tough-Claw provides a flexible mount for round rails or flat edges. The T-shaped knob means that you do not need any tools to install, remove or transfer your mount. Simply loosen the knob, reposition and secure.

## Tough-Ball™

The Tough-Ball is available in both B and C Size and is designed to connect to the threaded hole of a kayak or SUP.



RAP-400



RAP-B-400



RAP-379U-252050-KAY1



RAP-B-379U-M81208  
For Red Paddle Board

Part Number	Ball Size	Clamp Range
RAP-B-400	1" (B)	.625" - 1.5"
RAP-400	1.5" (C)	.625" - 1.5"

Part Number	Ball Size	Threaded Post
RAP-B-379U-252050-KAY1	1" (B)	1/4"-20 x .5"
RAP-379U-252050-KAY1	1.5" (C)	1/4"-20 x .5"
RAP-B-379U-M81208	1" (B)	M8-1.25 x 8mm



# Ball Bases

## Wedge

If you need more versatility in device placement and don't want to drill holes, use the RAM® wedge base. The RAP-B-354-75 is designed to drop in a rod holder post and spline base, while the RAP-354-162U and RAP-385-12U are designed to drop in flush mount tube rod holders.

## Ball with Swivel Post

Convert any post and spline base into a ball base with this adapter, allowing you to use your existing rod holder base to support a wide variety of ball and socket components to hold your fishfinder or other devices.



**RAP-B-354-75**

Designed to go into post and spline



**RAP-354-162U**

Flush mount/tube rod holder



**RAP-385-12U**

Flush mount/tube rod holder



**RAP-354-419U**



**RAP-B-354-419U**

Part Number	Ball Size	Compatible Holes
RAP-B-354-75	1" (B)	RAM, Attwood & Fish-on bases
RAP-354-75	1.5" (C)	RAM, Attwood & Fish-on bases
RAP-B-354	1" (B)	Scotty and Hobie sail port base
RAP-354	1.5" (C)	Scotty and Hobie sail port base
RAP-B-354-162U	1" (B)	Flush mount tubes
RAP-354-162U	1.5" (C)	Flush mount tubes
RAP-385-12U	1.5" (C)	Flush mount tubes
RAP-385-18U	1.5" (C)	Flush mount tubes
RAP-B-385-12U	1" (B)	Flush mount tubes
RAP-B-385-18U	1" (B)	Flush mount tubes

Part Number	Ball Size	Description
RAP-B-354-419U	1" (B)	Fits any spline RAM post base
RAP-354-419U	1.5" (C)	Fits any spline RAM post base

# Socket Arms

---



1

RAP-B-354-TRA1, 1" Track Ball™ base  
RAM-B-201-C, Long Double Socket Arm for 1" Ball  
RAM-B-202-LO11, Lowrance Quick Release Adapter with 1" Ball

1

# Socket Arms

## Arm Sizes

RAM® Mounts feature a double ball and socket system, providing modularity and adjustability. The RAM arm connects mounting bases to your device, and is available in multiple sizes and lengths.



**B Size**  
**RAM-B-201**



**C Size**  
**RAM-201**

### B Size 1"

Part Number	Material	Overall Length	Socket to Socket
RAM-B-201-A	Marine-grade aluminum	2.38"	1.75"
RAM-B-201	Marine-grade aluminum	3.69"	3"
RAM-B-201-C	Marine-grade aluminum	6"	5.25"
RAP-B-201-A	High-strength composite	2.38"	1.75"
RAP-B-201	High-strength composite	3.69"	3"
RAP-B-200-12U	High-strength composite	4.2"	3.5"

### C Size 1.5"

Part Number	Material	Overall Length	Socket to Socket
RAM-201-B	Marine-grade aluminum	3.5"	2.25"
RAM-201	Marine-grade aluminum	5.625"	4.5"
RAM-201-D	Marine-grade aluminum	9.125"	8"
RAP-201U-B	High-strength composite	3.5"	2.25"
RAP-201U	High-strength composite	5.625"	4.5"

# Spline Post - How it Works

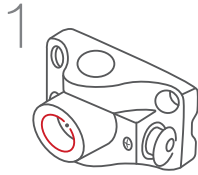
---

RAP-394-SSBMP, Tough-Tube™  
with Spline Post and Bulkhead/  
Flat Surface base



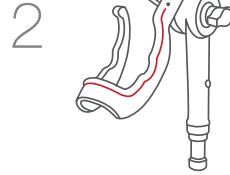
# Spline Post - How it Works

---



Choose a **base**

Choose from a variety of bases to help secure your device where you need it.



Choose a **rod holder**

Choose from a variety of rod holders depending on your needs when out on the water.



# Spline Post Base

---

## Track Base

Ready to mount the full line of RAM® spline post rod holders, these bases are compatible with almost all track systems and are easy to install, adjust and fasten. With the Adapt-A-Post™, simply press the release button to quickly remove your spline post. Using the dual track base, just turn the knobs to loosen.



RAP-AAPU



RAP-421

---

Part Number	Description
RAP-421	Dual track base
RAP-AAPU	Adapt-A-Post Track base
RAP-383-AAPU	Adapt-A-Post Quick Release track base
RAP-AAPRU	Adapt-A-Post Vertical track base

---

# Spline Post Base

## Wedge

This base provides a great way to mount any RAM® post and spline fishing rod holder and extension arms (in a low-profile fashion) with a quick disconnect feature. Simply slide the wedge into the round opening of your flush mount rod holder and tighten the screw to secure the wedge.



RAP-AAP-162U

## Drill-Down and Flush Mount

The Combination Bulkhead/Flat Surface Mounting Base features a locking mechanism, requiring the release of a plunger to remove the rod holder. The Round Flush Base is compatible with all RAM-ROD® holders with a spine post and is an excellent solution for kayaks with limited mounting space.



RAM-114FMT



RAM-114BMP

Part Number	Description	Compatible Holes
RAP-AAP-162U	Adapt-A-Post™ with wedge base	Flush mount tubes

Part Number	Description
RAM-114BM	Bulkhead base
RAM-114BMP	Bulkhead/flat surface plunger base
RAM-114FM	Rectangular flush base
RAM-114FMT	Round flush base
RAP-386B-AAPU	Adapt-A-Post with AMPs base

# Spline Post Extensions

---



RAP-390, Tube Jr.™ with Spline Post  
RAP-114-PAU, RAM-ROD®



# Spline Post Extensions

---

Compatible with all RAM® fishing rod holders and accessories using the spline post interface, these extensions are simple add-ons that provide increased functionality and versatility to your fishing setup while enabling an ideal position for your rod holder.



RAP-114-EX8



RAP-114-AP-RBU



RAP-114-APB2U

Part Number	Description
RAP-114-EX6	9" PVC pipe extension
RAP-114-EX8	11" PVC pipe extension
RAP-114-EX12	15" PVC pipe extension
RAP-114-APB2	13.5" Ratchet extension
RAP-114-APB3U	16" Ratchet extension
RAP-114-AP-RBU	11.5" Ratchet with 1.5" (C) socket
RAP-114-PAU	8" Ratchet arm

# Fishing Rod Holders

---



RAP-114-PA-421, RAM-ROD®  
with Spline Post, Extension Arm  
and Track base

# Fishing Rod Holders

## RAM-ROD® Holder

A must-have for the fishing enthusiast, the RAM-ROD can support almost any spinning reel or baitcaster with an optional locking latch. The RAM-ROD offers a secure hold for rough waters while also offering quick removal of your rod. Compatible with any RAM® post and spline or ball and socket mounting systems.



### Kits

Part Number	Description
RAM-114-B	Post with bulkhead base
RAM-114-BMP	Post with bulkhead/flat surface plunger base
RAM-114-F	Post with flush base
RAP-114-PA-421	Ratchet arm with dual track base
RAM-114-RB	Revolution arm and drill-down ball base
RAM-114-RB-TRA1	Revolution arm and Track Ball™ base
RAP-340	Single ball and socket with drill-down base
RAP-340-TRA1	Single ball and socket with Track Ball base
RAM-117	Double ball and socket with drill-down base

### Holders

Part Number	Description
RAM-114-NB	6" post
RAM-114-RBNU	Revolution arm with 1.5" (C) socket
RAP-340NB	1.5" (C) socket arm
RAM-117B	1.5" (C) ball

# Fishing Rod Holders

---



RAP-390-RB-TRA1, Tube Jr.™ with Track Ball™ base

# Fishing Rod Holders

## RAM® Tube Jr.™ Holder

Lightweight and incredibly versatile, the RAM Tube Jr. features an open-ended tube for securing spinning reels on one end, and baitcasters on the opposite end. Various grooves and locking slots are integrated into this tube to secure any fishing rod in the most comfortable position for the user.



### Kits

Part Number	Description
RAP-390-BMP	6" Post with bulkhead/flat surface plunger base
RAP-390-SBMP	4" Post with bulkhead/flat surface plunger base
RAP-390-BU	6" Post with bulkhead base
RAP-390-SBU	4" Post with bulkhead base
RAP-390-F	6" Post with flush base
RAP-390-SF	4" Post with flush base
RAP-390-FMT	6" Post with round flush base
RAP-390-SFMTU	4" Post with round flush base
RAP-390-AAP	6" Post with Adapt-A-Post™ track base
RAP-390-SAAPU	4" Post with Adapt-A-Post track base
RAP-390-PA-418	Ratchet arm with track base
RAP-390-PA-421	Ratchet arm with dual track base
RAP-390-RB	Revolution arm and drill-down ball base
RAP-390-RB-TRA1	Revolution arm and Track Ball™ base

### HOLDERS

Part Number	Description
RAP-390	6" post
RAP-390-STU	4" post
RAP-390-RB-NB	Revolution arm with 1.5" (C) socket

# Fishing Rod Holders

## RAM-TUBE™ and Tough-Tube™

The RAM-TUBE series features a large universal tube holder for securing most fishing rods for any environment. Available with the post and spline or ball and socket interface.



### Kits

Part Number	Description
RAP-394-SSBMP	Tough-Tube with bulkhead/flat surface plunger base
RAP-394-SSF	Tough-Tube with flush base
RAP-394-SSFMT	Tough-Tube with round flush base
RAP-394-418	Tough-Tube with track base
RAP-119	1.5" (C) Socket arm with drill-down base
RAM-119	1.5" (C) Socket arm with drill-down base
RAP-119-TRA1	1.5" (C) Socket arm with Track Ball™ base
RAM-301-B	Post with bulkhead base
RAM-301-BMP	Post with bulkhead/flat surface plunger base
RAM-301-F	Post with flush base
RAM-301-RB	Revolution arm with 1.5" (C) drill-down ball base
RAP-385-12-394	Tough-Tube with Press-N-Lock™ base

### Holders

Part Number	Description
RAP-394-SST	Tough-Tube with post
RAP-119NBU	1.5" (C) socket arm
RAM-301-NB	6" post
RAM-301-RBNBU	Revolution arm with 1.5" (C) socket

# Fishing Rod Holders

## Light-Speed™ and Fly Rod Jr.

The RAM® Light-Speed series is ideally suited for spinning reels and baitcasting reels, while the Fly Rod Jr. is designed specifically for fly rods and reels.



### Kits

Part Number	Description
RAP-370-R	Light-Speed post with rail base
RAP-370-RB	Light-Speed Revolution arm with 1.5" (C) drill-down ball base
RAP-370-B	Light-Speed post with bulkhead base
RAP-370-F	Light-Speed post with flush base
RAP-341	Fly Rod Jr. with drill-down ball base
RAP-341-TRA1	Fly Rod Jr. with Track Ball™ base

### Holders

Part Number	Description
RAP-370-NBU	Light-Speed with 4" post
RAP-370-RB-NBU	Light-Speed Revolution arm with 1.5" (C) socket
RAP-341NB	Fly Rod Jr. with 1.5" (C) socket

# Lowrance Mounts

---

RAM-111B, Lowrance Elite-7 Chirp Adapter  
RAM-201, Medium Double Socket Arm for 1.5" Ball  
RAM® Ball attachment for Hobie H-Rail





# Lowrance Mounts

RAM® offers the most reliable mounting systems for your Lowrance head unit no matter where you need it. Use the RAM-107B to connect to the existing factory gimbal bracket. For the Elite and HOOK™ series, the RAM-B-202-LO11 quick release ball integrates directly into the device to replace the factory gimbal bracket.



## Kits

Part Number	Compatible Device	Mount Type
RAM-B-101-LO11	HOOK-3x, Elite-4, HOOK-4, Elite-5, HOOK-5	Drill-down
RAM-B-101-C-LO11	HOOK-3x, Elite-4, HOOK-4, Elite-5, HOOK-5	Drill-down
RAP-B-202-LO11-354-TRA1	HOOK-3x, Elite-4, HOOK-4, Elite-5, HOOK-5	Track
RAM-B-107	Elite-4, HOOK-4, Elite-5, HOOK-5	Drill-down
RAP-B-107B-354-TRA1	Elite-4, HOOK-4, Elite-5, HOOK-5	Track
RAM-107	Elite-7, HOOK-7	Drill-down
RAM-101-LO11	Elite-7, HOOK-7	Drill-down
RAM-111	HDS-7, Elite-7	Drill-down
RAM-111-B	HDS-7, Elite-7	Drill-down
RAM-111B-354-TRA1	HDS-7, Elite-7	Track

\*see page 65 for all device compatibility

## Holders

Part Number	Ball Size	Compatible Device
RAM-B-202-LO11	1" (B)	HOOK-3x, Elite-4, HOOK-4, Elite-5, HOOK-5
RAM-B-107B	1" (B)	Elite-4, HOOK-4, Elite-5, HOOK-5
RAM-107B	1.5" (C)	Elite-7, HOOK-7
RAM-202-LO11	1.5" (C)	Elite-7, HOOK-7
RAM-111B	1.5" (C)	HDS-7, Elite-7

\*see page 66 for drawings

# Humminbird Mounts

---

RAM-202-24-202, Drill-down Mount for  
the Humminbird Helix 7



# Humminbird Mounts

No matter which Humminbird unit you have, RAM® offers a wide range of double ball and socket mounts – in a variety of sizes and lengths – so you can position your device at the best angle and in the perfect location.



## Kits

Part Number	Compatible Device	Mount Type
RAM-B-107-1	PiranhaMAX Series	Drill-down
RAP-B-107-1B-354-TRA1	PiranhaMAX Series	Track
RAM-B-107	500 & 600 Series	Drill-down
RAP-B-107B-354-TRA1	500 & 600 Series	Track
RAM-202-153-202	Helix 5	Drill-down
RAP-B-202-153-354-TRA1	Helix 5	Track
RAM-202-24-202	Helix 7	Drill-down
RAM-202-24-354-TRA1	Helix 7	Track

\*see page 65 for all device compatibility

## Holders

Part Number	Ball Size	Compatible Device
RAM-B-107-1B	1" (B)	PiranhaMAX Series
RAM-B-107B	1" (B)	500 & 600 Series
RAM-202U-153	1.5" (C)	Helix 5
RAM-202U-24	1.5" (C)	Helix 7

\*see page 66 for drawings

# Raymarine Mounts

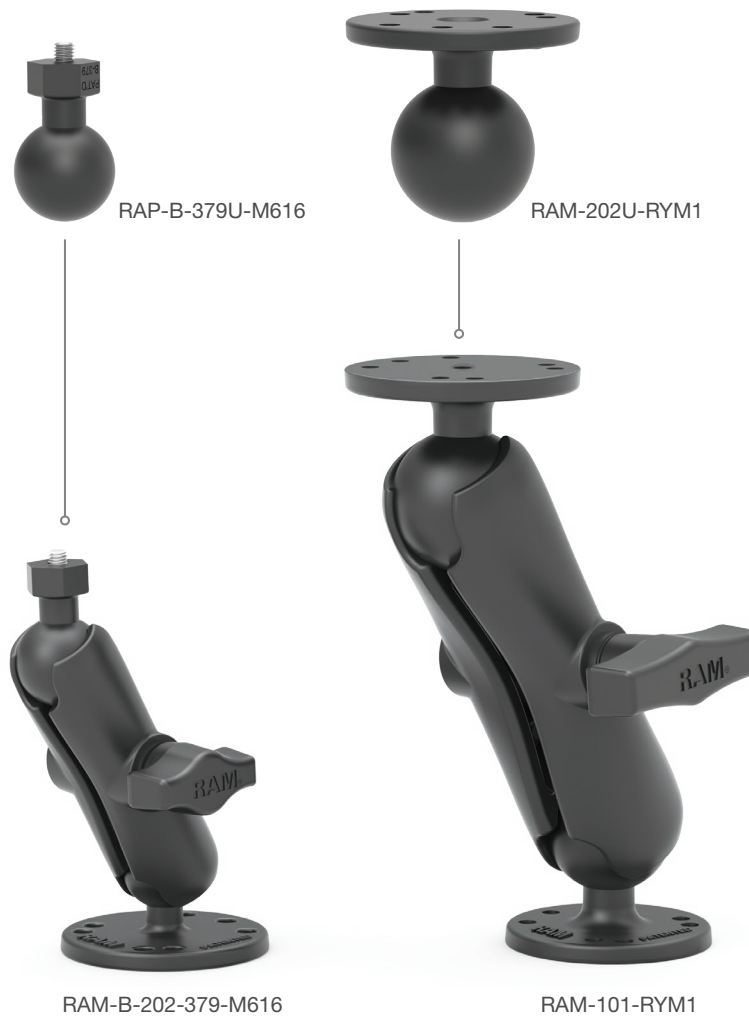
---

RAP-B-379U-M616, Raymarine Dragonfly 4 Adapter  
RAM-B-201, Medium Double Socket Arm  
RAP-B-354-TRA1, 1" Track Ball™ Base



# Raymarine Mounts

To accommodate the smaller Dragonfly and WiFish devices, RAM® has developed the Tough-Ball™ that threads directly into the head unit for a clean and secure install. Mount your Raymarine device virtually anywhere with standard drill-down kits or customize with any combination of ball and socket components.



## Kits

Part Number	Compatible Device	Description
RAM-B-202-379-M616	Dragonfly 4, 5 & WiFish	Drill-down mount
RAM-B-400-379-M616	Dragonfly 4, 5 & WiFish	Tough-Claw™ mount
RAM-B-224-1-379-M616	Dragonfly 4, 5 & WiFish	Suction cup mount
RAM-101-RYM1	Dragonfly 6 & 7	Drill-down mount

\*see page 65 for all device compatibility

## Holders

Part Number	Ball Size	Compatible Device
RAP-B-379U-M616	1" (B)	Dragonfly 4, 5 & WiFish
RAM-202U-RYM1	1.5" (C)	Dragonfly 6 & 7

\*see page 66 for drawings

# Garmin Mounts

---



RAP-B-111BU, Garmin Striker 5 Adapter  
RAM-B-201-C, Long Double Socket Arm  
RAM-B-354-TRA1, 1" Track Ball™ base

# Garmin Mounts

Your Garmin electronics deserve only the best when it comes to rugged and reliable mounting. RAM® Mounts will keep your GPSMAP, echoMAP or Striker unit exactly where you want it, with vibration dampening to keep your fishfinder secure while on choppy waters.



## Kits

Part Number	Compatible Device	Mount Type
RAM-B-101-G4	Striker 4, echoMAP 42-55, GPSMAP 527 & 547	Drill-down
RAM-B-111	Striker 5	Drill-down
RAM-B-111U-C	Striker 5	Drill-down
RAM-B-111U-A	Striker 5	Drill-down
RAP-B-111B-354-TRA1	Striker 5	Track
RAM-111	Striker 7, echoMAP 72-95	Drill-down
RAM-111-B	Striker 7, echoMAP 72-95	Drill-down
RAM-111B-354-TRA1	Striker 7, echoMAP 72-95	Track

\*see page 65 for all device compatibility

## Holders

Part Number	Ball Size	Compatible Device
RAM-B-202-G4U	1" (B)	Striker 4, echoMAP 42-55, GPSMAP 527 & 547
RAM-B-111B	1" (B)	Striker 5
RAM-111B	1.5" (B)	Striker 7, echoMAP 72-95

\*see page 66 for drawings

# Transducer Mounts

---



RAM-B-316-18-TRA1-TRA1,  
Track Ball™ Mount for Transducer



# Transducer Mounts

Kayak fishing is all about adaptability, which is why RAM® offers a deployable transducer arm for kayaks. This solution enables the quick and effective deployment and retrieval of your transducer, while protecting it from damage. This unique design provides a universal solution for virtually any kayak as well as any transducer.



RAM-354-TRA1

Coming Soon

RAM-316-18-TRA4-NB  
(Track Ball™ not included)



RAM-B-316-18-TRA1

RAM-B-316-18-TRA1

## Kits with Base

Part Number	Compatible Transducer	Mount Type
RAM-B-316-18-TRA1	Universal (1/4"-20 screw attachment)	Drill-down
RAM-B-316-18-TRA1-TRA1	Universal (1/4"-20 screw attachment)	Track
RAM-B-316-18-TRA2	HydroWave Speaker	Drill-down
RAM-B-316-18-TRA3	Lowrance StructureScan LSS-1 & LSS-2	Drill-down

## Kits with no Base

Part Number	Ball Size	Compatible Transducer
RAM-B-316-18-TRA1-NB	1" (B)	Universal (1/4"-20 screw attachment)
RAM-B-316-18-TRA2-NB	1" (B)	HydroWave Speaker
RAM-B-316-18-TRA3-NB	1" (B)	Lowrance StructureScan LSS-1 & LSS-2
RAM-B-316-18-TRA4-NB	1.5" (C)	Lowrance TotalScan

# Handheld Device Mounts

---

RAP-HOL-UN4-201U, Device holder with Double Socket Arm;  
RAP-B-354-TRA1, 1" Track Ball™ Base



# Handheld Device Mounts

Count on RAM® to protect and position your handheld device at the ideal viewing angle. Whether you're mounting a handheld GPS, radio or bluetooth speaker, these cradles provide easy insertion and removal of your device along with multiple options for installation.



Kits		
Part Number	Compatible Devices	Mount Type
RAM-B-138-GA40	Garmin GPSMAP 73, 78, 78S, 78SC	Drill-down
RAM-B-138-GA41	Garmin Astro 320, GPSMAP 62, 64	Drill-down
RAM-B-138-UN4	Universal - GPS, Radio, Bluetooth Speaker	Drill-down

Holders	
Part Number	Compatible Devices
RAM-HOL-GA40	Garmin GPSMAP 73, 78, 78S, 78SC
RAM-HOL-GA41	Garmin Astro 320, GPSMAP 62, 64
RAM-HOL-UN4	Universal - GPS, Radio, Bluetooth Speaker

RAM Finger-Grip Compatible Dimensions		
Width Range	Height Range	Thickness Range
1.25" - 3.5"	up to 6"	up to 1.5"

# Phone Mounts

---

RAM-B-400-C-UN10U,  
Tough-Claw™ Mount for Large Phones



# Phone Mounts

The RAM® X-Grip® will keep your phone secure while out on the water no matter which mount you use. Whether using your phone as a camera or operating a fishfinder app, your device will stay safe and accessible with the RAM® X-Grip®.



RAM-B-166-UN7



RAM-HOL-UN10-400

## Kits

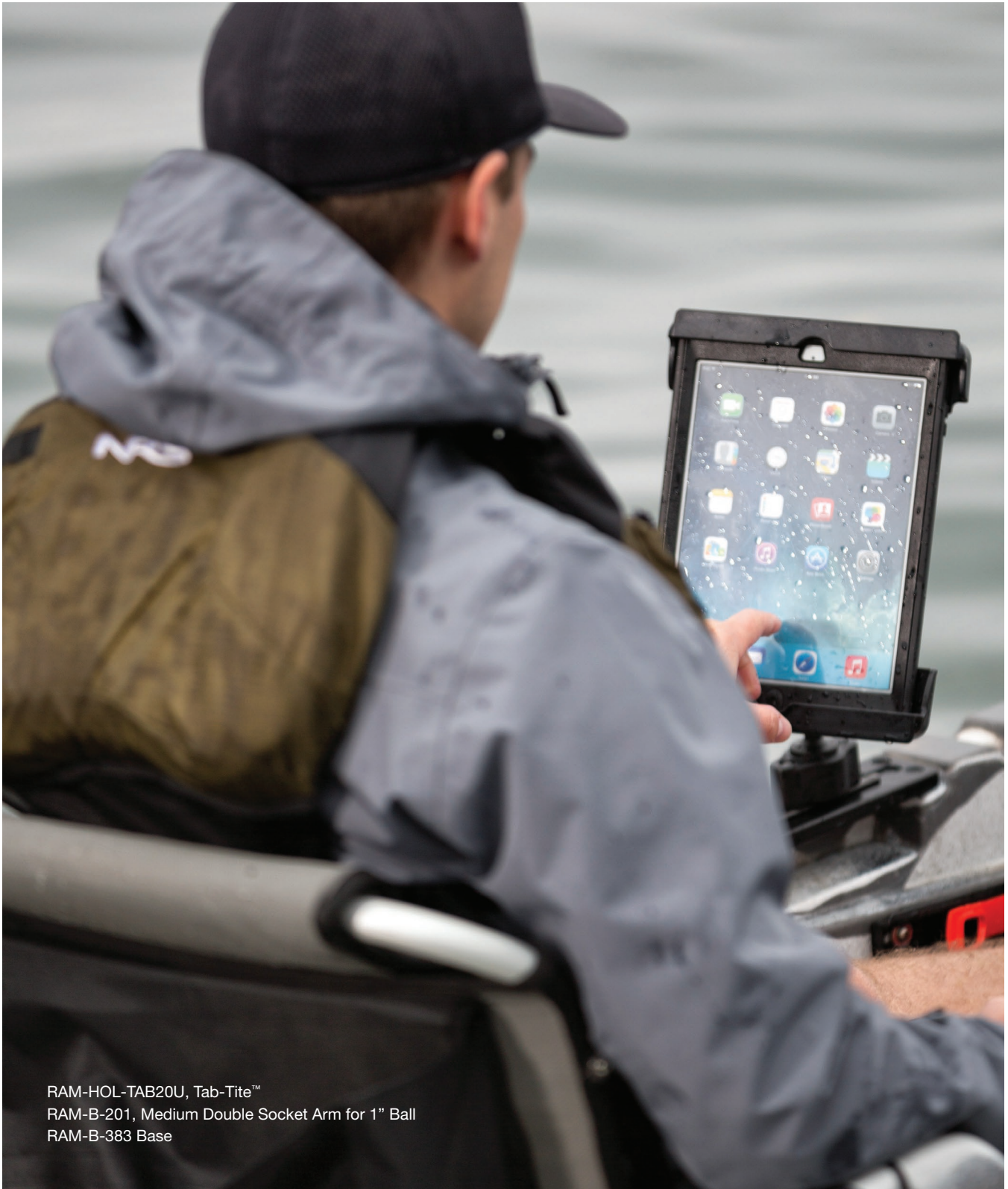
Part Number	Phone Size	Mount Type
RAM-B-102-UN7	Small phones	Drill-down mount - diamond base
RAM-B-138-UN7	Small phones	Drill-down mount - round base
RAP-HOL-UN7B-354-TRA1	Small phones	Track Ball™ mount
RAM-B-166-UN7	Small phones	Twist-Lock™ suction cup - standard arm
RAM-B-166-A-UN7U	Small phones	Twist-Lock suction cup - short arm
RAM-HOL-UN7-400	Small phones	Tough-Claw™ mount - low profile
RAM-B-400-A-HOL-UN7BU	Small phones	Tough-Claw mount - short arm
RAM-B-400-C-UN7U	Small phones	Tough-Claw mount - long arm
RAP-B-378-UN7	Small phones	Flex adhesive mount
RAM-B-102-UN10U	Large phones	Drill-down mount - diamond base
RAM-B-138-UN10	Large phones	Drill-down mount - round base
RAM-B-166-UN10	Large phones	Twist-Lock suction cup - standard arm
RAM-B-166-C-UN10U	Large phones	Twist-Lock suction cup - long arm
RAM-HOL-UN10-400	Large phones	Tough-Claw mount - low profile
RAM-B-400-A-HOL-UN10BU	Large phones	Tough-Claw mount - short arm
RAM-B-400-C-UN10U	Large phones	Tough-Claw mount - long arm
RAP-B-378-UN10U	Large phones	Flex adhesive mount

## Holders

Part Number	Ball Size	Phone Size
RAM-HOL-UN7B	1" (B)	Small Phones (up to 3.25" wide)
RAM-HOL-UN7BCU	1.5" (C)	Small Phones (up to 3.25" wide)
RAM-HOL-UN10B	1" (B)	Large Phones (up to 4.5" wide)
RAM-HOL-UN10BCU	1.5" (C)	Large Phones (up to 4.5" wide)

# Tablet Mounts

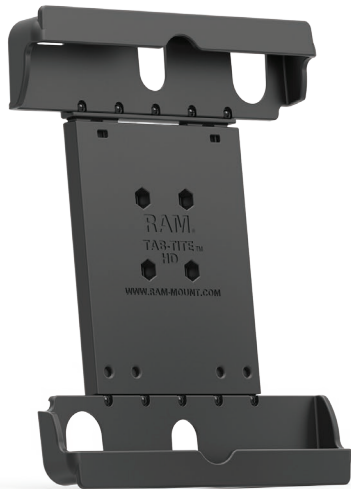
---



RAM-HOL-TAB20U, Tab-Tite™  
RAM-B-201, Medium Double Socket Arm for 1" Ball  
RAM-B-383 Base

# Tablet Mounts

RAM® Mounts offers an assortment of tablet mounts so you can take your device out on the water. The unique design of the RAM® X-Grip® can support virtually any size tablet. Pair with any RAM double ball and socket mounting system for the best tablet accessory on the market.



RAM-HOL-TAB20U



RAM-HOL-UN8B



RAM-HOL-AP21U

## Mounts

Part Number	Ball Size	Max Height	Mount Type
RAM-B-101	1" (B)	5"	Drill-down
RAM-B-101-C	1" (B)	7.313"	Drill-down
RAM-101	1.5" (C)	7.35"	Drill-down

## Holders

Part Number	Holder Type	Compatible Device
RAM-HOL-TAB20U	Tab-Tite	9" - 10" tablets with case
RAM-HOL-TAB12U	Tab-Tite	7" - 8" tablets with case
RAM-HOL-UN8B	Tab-Tite	7" - 8" tablets
RAM-HOL-UN9U	RAM® X-Grip®	9" - 10" tablets
RAM-HOL-UN11U	RAM® X-Grip®	10" - 12" tablets
RAM-HOL-AP17U	EZ-Roll'r	Apple iPad 5 <sup>th</sup> & 6 <sup>th</sup> Gen, Air 1-2 & Pro 9.7
RAM-HOL-AP20U	EZ-Roll'r	Apple iPad mini 4
RAM-HOL-AP21U	EZ-Roll'r	Apple iPad Pro 12.9

\*Visit [rammount.com](http://rammount.com) for more tablet mounting options

# Action Camera Mounts

---



RAP-B-GOP2-A-GOP1U, 1"  
Ball Adapter for GoPro® bases  
with Short Arm and Action  
Camera Adapter



# Action Camera Mounts

## Double Ball Mounts

Count on RAM® to connect to any action camera, whether using the standard 1/4"-20 thread or the modern action camera hinge adapter. The unique double ball and socket design lets you position your camera at the perfect angle with a single knob for 360-degree rotation, and is compatible with several different mount types.



### Kits

Part Number	Ball Type	Mount Type
RAM-B-138-A-GOP1	Action camera adapter	Drill-down mount
RAM-B-400-A-GOP1U	Action camera adapter	Tough-Claw™ rail mount
RAP-B-202-GOP1-354-TRA1	Action camera adapter	Track Ball™ mount
RAM-B-166-GOP1	Action camera adapter	Twist-Lock™ suction cup mount
RAP-B-GOP2-A-GOP1U	Action camera adapter	GoPro base adapter mount
RAM-B-202-A-366U	1/4"-20 threaded stud	Drill-down mount
RAM-B-400-A-366U	1/4"-20 threaded stud	Tough-Claw rail mount
RAP-B-366-153-354-TRA1	1/4"-20 threaded stud	Track Ball mount
RAM-B-224-1-366	1/4"-20 threaded stud	Twist-Lock suction cup mount

### Holders

Part Number	Tablet Size	Compatible Ball
RAP-B-202-GOP1	1" (B)	Action camera adapter
RAP-B-366	1" (B)	1/4"-20 threaded stud
RAP-B-379-252025	1" (B)	Tough-Ball 1/4"-20 threaded stud

# Action Camera Mounts

---

RAP-422-18-A-GOP1, Tough-Pole™ Action Camera Mount



# Action Camera Mounts

## Tough-Pole™ Action Camera Mounts

Get the perfect shot from your action camera when you're out on the water using the RAM® Tough-Pole. Available for track mounts and spline posts, the Tough-Pole provides up to a 36" extension for your action camera.



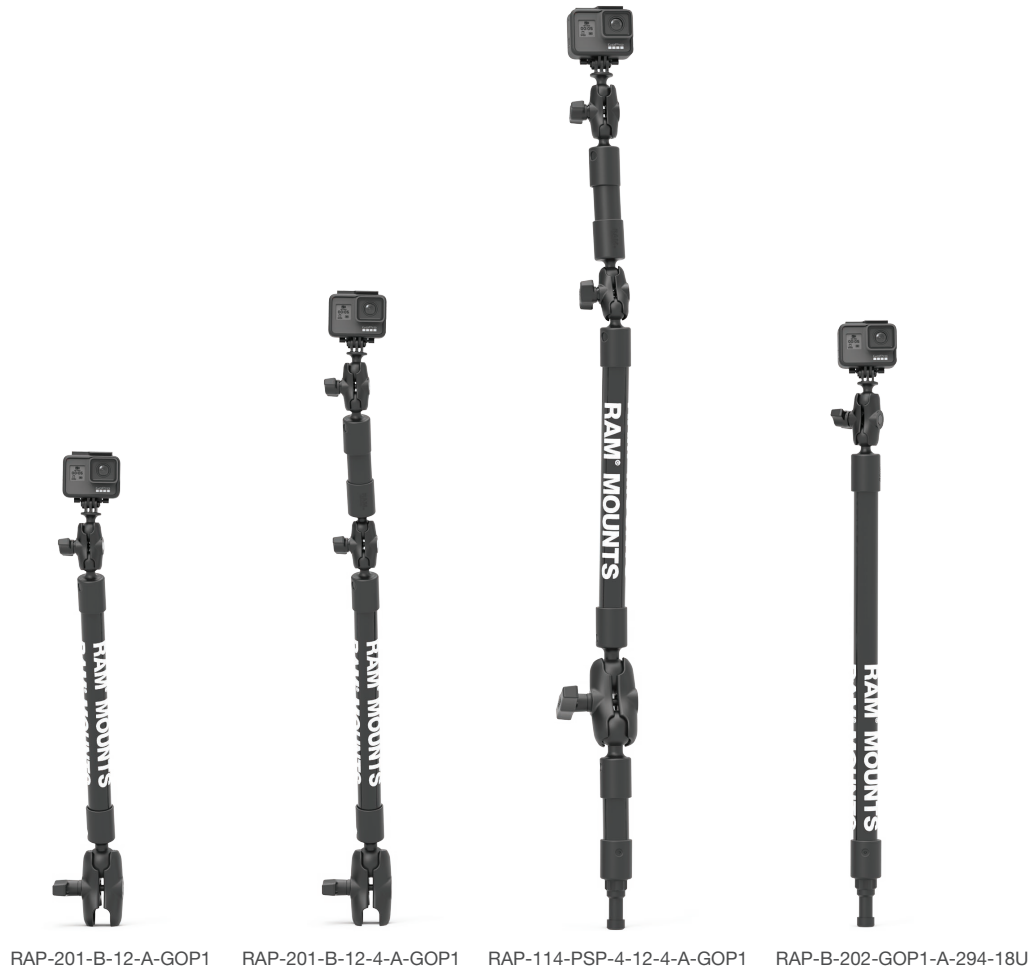
### Mounts

Part Number	Base Type	Pipe Configuration
RAP-385-12-18-A-GOP1	Press-N-Lock™ wedge base	Single 18" pipe
RAP-385-12-18-18-A-GOP1	Press-N-Lock™ wedge base	Double 18" pipe - ratchet connection
RAP-114BD-4-12-A-GOP1	Bulkhead/flat surface plunger base	4" and 12" pipes - ball and socket connection
RAM-114BD-4-12-4-A-GOP1	Bulkhead/flat surface plunger base	4", 12" and 4" pipes - ball and socket connection
RAP-422-18-A-GOP1	Track base (post/spline)	Single 18" pipe
RAP-422-18-18-A-GOP1	Track base (post/spline)	Double 18" pipe - ratchet connection
RAP-354-TRA1-12-A-GOP1	Track Ball™ base	Single 12" pipe
RAP-354-TRA1-12-4-A-GOP1	Track Ball base	12" and 4" pipes - ball and socket connection
RAP-425-18-A-GOP1	Track Base (direct to pipe)	Single 18" pipe
RAP-425-4-A-GOP1	Track Base (direct to pipe)	Single 4" pipe
RAP-425-18-18-A-GOP1	Track Base (direct to pipe)	Double 18" pipe - ball and socket connection
RAP-425-4-18-A-GOP1	Track Base (direct to pipe)	4" and 18" pipe - ball and socket connection

# Action Camera Mounts

## Tough-Pole™ Extension Arms

Select from a wide variety of pole lengths with multiple articulation points to capture the best footage while out on the water. The following Tough-Pole extension arms can connect to any post and spline base or any 1.5" ball.

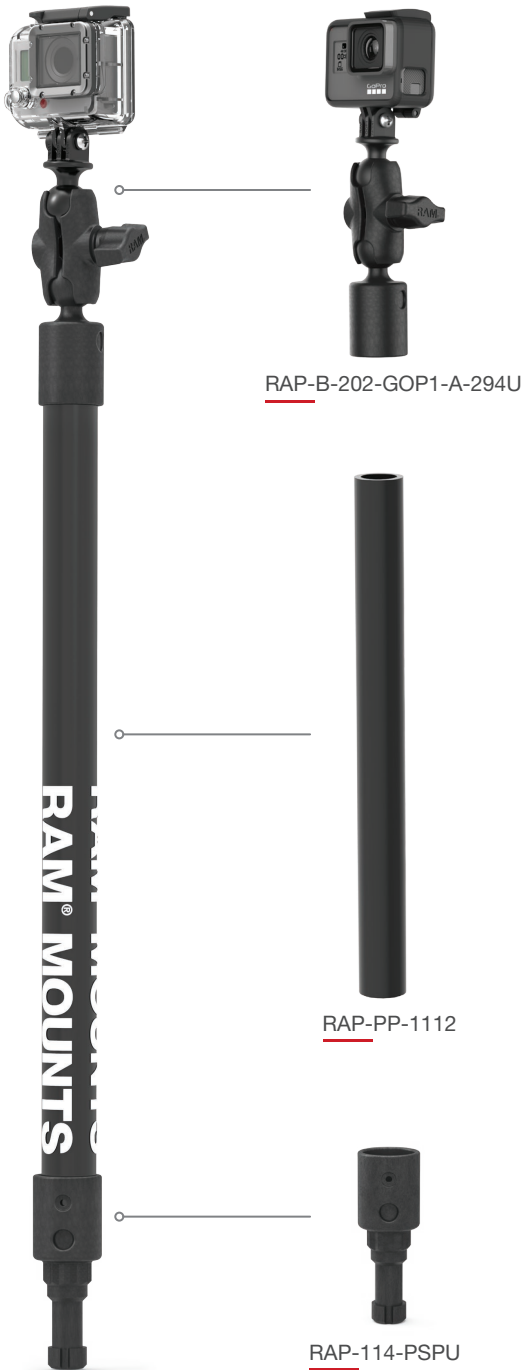


Part Number	Base Type	Pipe Configuration
RAP-385-12-18-A-GOP1	Press-N-Lock™ wedge base	Single 18" pipe
RAP-385-12-18-18-A-GOP1	Press-N-Lock™ wedge base	Double 18" pipe - ratchet connection
RAP-114BD-4-12-A-GOP1	Bulkhead/flat surface plunger base	4" and 12" pipes - ball and socket connection
RAM-114BD-4-12-4-A-GOP1	Bulkhead/flat surface plunger base	4", 12" and 4" pipes - ball and socket connection
RAP-422-18-A-GOP1	Track base (post/spline)	Single 18" pipe
RAP-422-18-18-A-GOP1	Track base (post/spline)	Double 18" pipe - ratchet connection
RAP-354-TRA1-12-A-GOP1	Track Ball™ base	Single 12" pipe
RAP-354-TRA1-12-4-A-GOP1	Track Ball base	12" and 4" pipes - ball and socket connection
RAP-425-18-A-GOP1	Track Base (direct to pipe)	Single 18" pipe
RAP-425-4-A-GOP1	Track Base (direct to pipe)	Single 4" pipe
RAP-425-18-18-A-GOP1	Track Base (direct to pipe)	Double 18" pipe - ball and socket connection
RAP-425-4-18-A-GOP1	Track Base (direct to pipe)	4" and 18" pipe - ball and socket connection

# Action Camera Mounts

## Build Your Own Tough-Pole™

Building and customizing a Tough-Pole to fit your specific needs is easy and can be done in three steps: choosing a top component, choosing the length you need and choosing the bottom connection. See below to see the features and how it can all come together.



### 1 Choose a top component

Part Number	Description
RAP-B-202-GOP1-A-294U	Double ball mount for action cameras
RAP-AAP-PPU	Adapt-A-Post™ for any spline posts
RAP-B-294U	1" (B) Ball
RAP-294U	1.5" (C) Ball

### 2 Choose the length you need

Part Number	Pipe Length
RAP-PP-1102	2"
RAP-PP-1104	4"
RAP-PP-1106	6"
RAP-PP-1108	8"
RAP-PP-1112	12"
RAP-PP-1118	18"

### 3 Choose a bottom component

Part Number	Description
RAP-114-PSPU	Spline Post - connects to any spline post base
RAP-201-B-294U	Double Socket Arm - connects to any 1.5" (C) ball (shown in pg. 51)

# Cup Holder Mounts

---



RAP-429T, Drink Cup Holder Track Mount

# Cup Holder Mounts

Coming  
Soon

## Drink Cup Holder for Tracks

The RAM® Drink Cup Holder for tracks is the perfect cradle for your beverage when out on the water. Fitting a variety of cup sizes, a slot on the side even accommodates your favorite cup or mug with a handle. Hook slots are perfectly placed for lures and the cup holder features two attachment points – one on the side for attaching to vertically-mounted tracks, and one on the bottom for attaching to horizontally-mounted tracks.



RAP-429T

## Level Cup™ XL

The self-leveling Level Cup XL keeps your beverages from spilling and integrates an adjustable height option for accommodating large drink sizes, such as tumblers and water bottles. Whether you have a Nalgene or Hydro Flask, the Level Cup XL will secure most 32oz containers.



RAP-B-417B

RAP-B-417B-C-354-TRA1

### Kits

Part Number	Description
RAM-B-132-400	Level Cup with Tough-Claw™ - low profile
RAP-B-417-400	Level Cup XL with Tough-Claw - low profile
RAM-B-417B-C-354-TRA1	Level Cup XL with Track Ball™ base
RAP-419T	Drink cup holder for tracks

### Holders

Part Number	Cup Holder	Attachment Type
RAM-B-132B	Level Cup	1" (B) Ball
RAP-B-132B-201U	Level Cup	Double socket arm connects to any 1" (B) ball
RAP-B-417B	Level Cup XL	1" (B) Ball
RAP-B-417-200-1U	Level Cup XL	Single socket arm connects to any 1" (B) ball
RAM-B-417B-C-201U	Level Cup XL	Double socket arm connects to any 1" (B) ball
RAP-417B	Level Cup XL	1.5" (C) Ball

# Accessories

---

## Tough-Cleat™

Create an anchor tie-off point for your kayak while on the river or lake. Simply loosen the knob and slide the T-Bolt attachment along your track mounting system.

## Anchor Line Lock

For use with anchor lines up to 1/2" in diameter, this Anchor Line Lock with spline post can be flush mounted or mounted using an existing rod holder base.



RAP-432



RAP-357P

### Accessories

---

Part Number	Description
RAP-357U	Anchor Line Lock
RAP-357P	Anchor line lock with spline post
RAP-357P-B	Anchor line lock with bulkhead plunger base
RAP-432	Tough-Cleat



# Accessories

---

## Tough-Clip™

Coming  
Soon

The Tough-Clip Paddle Cradle allows you to easily attach your paddle to a canoe, kayak or paddleboard. The universal design holds most paddles with a handle of 1"-1.31" in circumference.

## Vertical Tie-Down

As a pack of two, the Vertical Track Tie Down provides an anchor point for use with your track mounting system to secure coolers and other accessories to your kayak. Designed to work with 1" and 1.5" flat webbing, as well as ropes and bungee cords up to 3/8".



RAP-430TD



RAP-431



### Accessories

---

Part Number	Description
RAP-430-224	Tough-Clip with double suction cup mount
RAP-430-400	Tough-Clip with small Tough-Claw™
RAP-430TD	Tough-Clip with T-Nut and drill-down hardware
RAP-431	Vertical Tie-Down for tracks (Sold in pairs)

# Accessories

## STACK-N-STOW™ Bait Board

Keep your tools, knives, and bait handy with the STACK-N-STOW Bait Board. Made of high-strength composite, the Bait Board is durable and rugged. Integrated lure storage on the sides and magnets in the tray secure tools and other objects. Utilize a variety of items with the ample amount of external mounting options available — from a handheld GPS, phone, action camera to even a drink. The wedge lock mount base allows you to move your item into one of six wedge slots and swap them out without tools. The ball base kit allows you to add a ball to the corners for the use of the double socket arm mounting options shown below.



### Accessories

Part Number	Description
RAP-395U	STACK-N-STOW bait board with AMPs 4-hole pattern
RAP-395-RMU	STACK-N-STOW bait board with 3" long spline post and bulkhead rail adapter
RAP-395-BMPU	STACK-N-STOW bait board with 3" long spline post and bulkhead/flat surface base and plunger
RAP-395T-BBU	Topside base with 1" ( B ) ball
RAP-395T-BCU	Topside base with 1.5" ( C ) ball
RAP-395W-132U	Side wedge-lock Level Cup drink holder
RAP-395WU	Side wedge-lock

# Accessories

## 5 Spot Base with Post

Get the most out of the limited space available on your kayak with the RAM® 5 Spot Base. With five locations to use for anything from rod holders to your fishfinder, this simple product provides fantastic versatility. Hard mount directly to the vessel or use the spline post adapter to securely mount to your current rod holder mounting base. The 5 Spot Base features locations for hanging hooks, lures, pliers, clippers and many other angling essentials.



RAM-114-5PU

### Accessories

Part Number	Attachment Type
RAP-114-5PU	Fits any RAM spline post base

## Mari-Rivet™ and Mari-Nut™

Sometimes you have the need for a blind hole mount, and RAM offers the Mari-Rivet for a permanent mount. Suited for material 1/16" to 1/4" thick, this is a great mounting option for fiberglass, plastic and metal mounting locations. The Mari-Nut allows for a non-permanent and light duty way to mount to blind holes.



RAM-MARI-RIVET-4



RAM-MARI-NUT-4

### Accessories

Part Number	Compatible Components	Grip Thickness	Hole Size Required
RAM-MARI-RIVET-4	Ball bases with 4 holes	1/16" - 1/4"	7/32"
RAM-MARI-NUT-4	Ball bases with 4 holes	3/100" - 23/100"	3/8"

# Stand Up Paddleboard Mounts

---



1

RAM-114-RBNBU, RAM-ROD® 2000  
RAP-366U, 1.5" Ball with Threaded Stud

2

RAM-HOL-TAB17, Tab-Tite™ Tablet Holder  
RAP-B-166, Composite Twist-Lock™ Suction Cup mount

# Stand Up Paddleboard Mounts

Whether you need to mount your action camera, drink, paddle or phone to your stand-up paddleboard, RAM® has you covered. Solutions like the Flex Adhesive Base, Tough-Pole™ and double and triple Twist-Lock™ Suction Cup will keep your devices secure on your SUP.



RAP-430-224

RAP-224-18-A-UN10

RAP-365-18-429

RAM-B-166-GOP1

## Kits

Part Number	Device	Mount Type
RAM-B-166-GOP1	Action cameras	Twist-Lock suction cup double ball
RAP-B-378-202U-GOP1	Action cameras	Flex adhesive double ball mount
RAP-224-18-A-GOP1	Action cameras	18" Tough-Pole™ with suction cup
RAP-365-18-429	Drink cup holder	18" Tough-Pole with triple suction cup
RAM-B-166-UN10	Large phones	Twist-Lock suction cup double ball
RAP-B-378-UN10U	Large phones	Flex adhesive double ball mount
RAP-224-18-A-UN10	Large phones	18" Tough-Pole with suction cup

## Kits

Part Number	Device	Mount Type
RAP-365-18-430	Paddle holder	18" Tough-Pole with triple suction cup
RAP-430-224	Paddle holder	Low profile double suction cup
RAM-B-166-UN7	Small phones	Twist-Lock suction cup double ball mount
RAP-B-378-UN7	Small phones	Flex adhesive double ball mount
RAP-224-18-A-UN7	Small phones	18" Tough-Pole with suction cup
RAM-B-166-UN8	Small tablets	Twist-Lock suction cup double ball
RAP-B-378-UN8	Small tablets	Flex adhesive double ball mount

# Stand Up Paddleboard Mounts

## Leash Cup and Plug Adapters

With a simple twist of the base, quickly secure the RAM® Leash Plug Adapter to your board. Add an arm or fishing rod holder to complete your custom SUP mount.

## Tough-Ball™

When a male threaded post is needed for your SUP, the Tough-Ball comes through. Attach a wide variety of arms and fishing rod holders to the 1" rubber ball.



RAP-B-405U



RAP-406U



RAP-B-379U-252050-KAY1

### Ball Bases

Part Number	Ball Size
RAP-B-405U	1" (B)
RAP-405U	1.5" (C)

### Leash Cup

Part Number
RAP-406U

### Tough-Ball

Part Number	Ball Size	Compatible SUP's
RAP-B-379U-252050-KAY1	1" (B)	Connect SUP system
RAP-379U-252050-KAY1	1.5" (C)	Connect SUP system
RAP-B-379U-M81208	1.5" (C)	Red Paddle Boards

# Stand Up Paddleboard Mounts

---

## Adhesive

Accommodating all 1" socket arms, this double-sided adhesive PSA stick pad is an excellent mounting solution for SUPs. Includes a sealed alcohol prep pad.



RAP-B-378

## Twist-Lock™ Suction Cup

Use the Twist-Lock Suction Cup to secure your action camera or phone to your SUP. This popular solution provides a strong hold on non-porous surfaces.



RAM-B-224-1



RAP-350-35B

### Components

Part Number	Ball Size	Description
RAM-B-224-1	1" (B)	Suction cup base
RAP-350-35B	n/a	Flat adhesive disc

### Base

Part Number	Ball Size	Diameter
RAP-B-378	1" (B)	2.5"

# Inflatable Watercraft Mounts

---

RAP-340NB, RAM-ROD® 2007  
RAP-399U, Float Tube Adapter with Strap and 1" Ball





# Inflatable Watercraft Mounts

## Bond-A-Base™

For inflatable rafts, the RAM® Bond-A-Base is the ideal universal mounting solution. Using the included 3M VHB double back adhesive pad, the flexible Bond-A-Base can be applied to PVC and Hypalon watercraft.



Part Number	Description
RAP-398-BLKU	Black base
RAP-398-BLK-202U	Black base with 1.5" (C) ball
RAP-398-BLK-114BMPU	Black base with post/spline receiver
RAP-398-BLK-TRACK-A	Black base with Tough-Track™
RAP-398-GRYU	Grey base
RAP-398-GRY-202U	Grey base with 1.5" (C) ball
RAP-398-GRY-114BMPU	Grey base with post/spline receiver
RAP-398-GRY-TRACK-A	Grey base with Tough-Track

## Strap Base

For inflatable personal fishing pontoons, this base is secured using straps and allows you to easily mount a fishing rod holder and more.



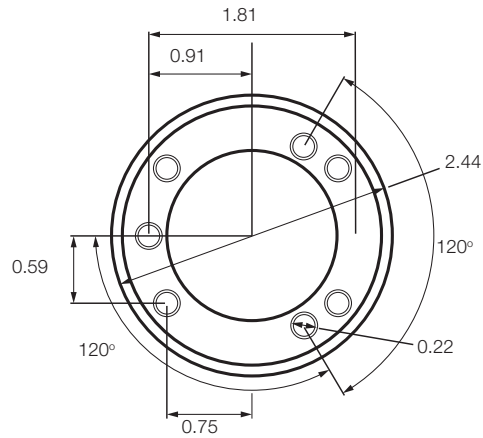
Part Number	Ball Size	Compatible SUP's
RAP-B-399U	1" (B)	Connect SUP system
RAP-399U	1.5" (C)	Connect SUP system

# Compatibility Chart

Part Number		Humminbird Helix 5	Humminbird Helix 7	Humminbird PiranhaMAX Series	Humminbird 500 Series	Humminbird 600 Series	Garmin Striker 4	Garmin Striker 5	Garmin Striker 7	Garmin echoMAP Chirp 42-55 Series	Garmin echoMAP Chirp 72-95 Series	Garmin GPSMAP 527	Garmin GPSMAP 547	Lowrance HOOK-3x	Lowrance Elite-4	Lowrance HOOK-4	Lowrance Elite-5 Ti	Lowrance Elite-5 CHIRP Gold	Lowrance Elite-5 CHIRP	Lowrance HOOK-5	Lowrance Elite-7 Ti	Lowrance Elite-7 CHIRP	Lowrance HOOK-7	Lowrance HDS-7 Gen2 Touch	Lowrance HDS-7 Gen3	Raymarine Dragonfly 4, 5 & Wi-Fish	Raymarine Dragonfly 7 PRO	Raymarine Dragonfly 6 & 7	Marine Accessories	RAP-S-KNOB3	RAP-S-KNOB5	RAP-S-KNOB3-G	RAP-S-KNOB5-G			
Drill-Down Mounts	RAM-B-101-G4						X		X		X	X																								
	RAM-B-111							X																						X						
	RAM-111								X	X												X		X							X				X	
	RAM-B-107				X	X									X	X	X	X	X	X										X						
	RAM-B-107-1			X																										X						
	RAM-107																					X	X	X								X				
	RAM-B-101-LO11													X	X	X	X	X	X	X										X						
	RAM-101-LO11																					X	X	X							X					
	RAM-202-153-202	X																													X				X	
	RAM-202-24-202		X																												X				X	
	RAM-101-RYM1																											X			X					
	RAM-B-202-379-M616																									X	X			X						
Track Mounts	RAM-202-24-354-TRA1		X																											X				X		
	RAM-111B-354-TRA1							X	X												X		X	X						X				X		
	RAP-B-202-LO11-354-TRA1									X	X	X	X	X	X	X	X												X							
	RAP-B-107-1B-354-TRA1			X																										X						
	RAP-B-107B-354-TRA1				X	X									X	X	X	X	X	X										X						
	RAP-B-111B-354-TRA1							X																						X		X				
	RAP-B-202-153-354-TRA1	X																												X		X				

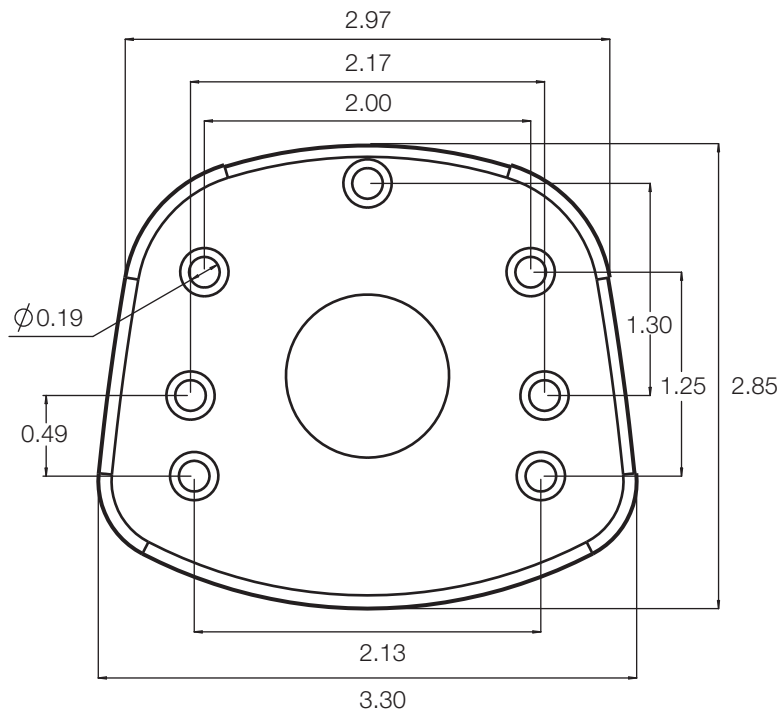
# Drawings Section

---



## RAM-202

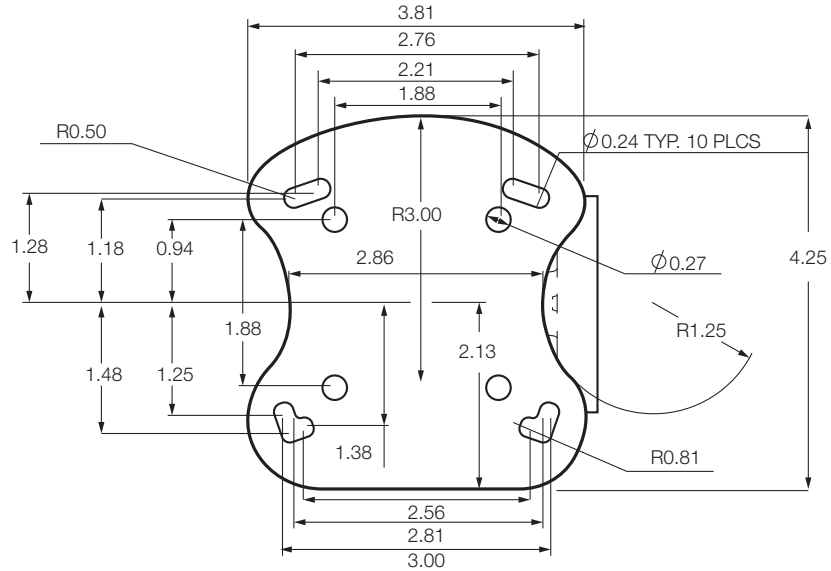
For: RAM-B-202, RAM-202, RAM-B-202-G2, RAM-202-G2U, RAM-B-202-G4U, RAM-202-G4, RAM-B-202-RYM1, RAM-202U-RYM1, RAM-B-101-G4, RAP-B-101U-G4, RAM-101-G4, RAM-101-RYM1 and RAM-B-101-RYM1



## RAM-B-107-1B

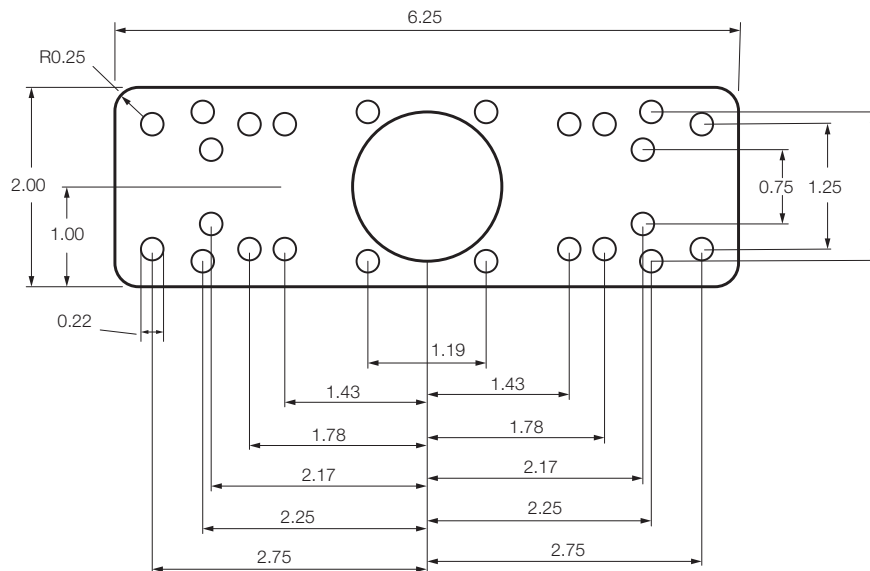
For: RAM-B-107-1B, RAM-B-107-1

# Drawings Section



## RAM-107B

For: RAM-B-107B, RAM-107B, RAM-B-107, RAM-107

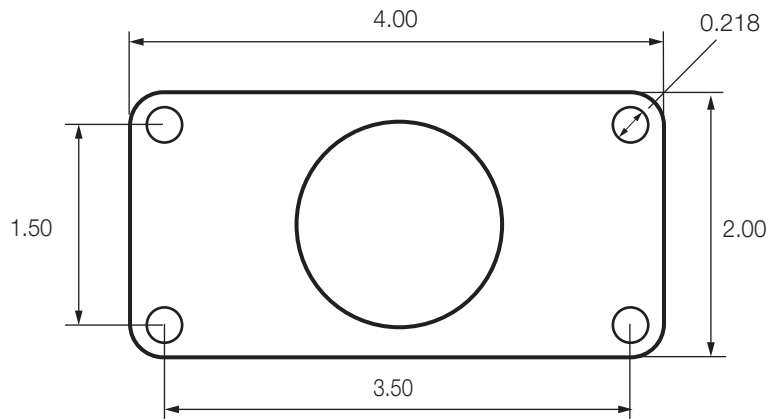


## RAM-111B

For: RAM-111B, RAM-111-B, RAM-111, RAM-111-D, RAM-109H, RAM-109V, RAM-109H-1, RAM-109V-1

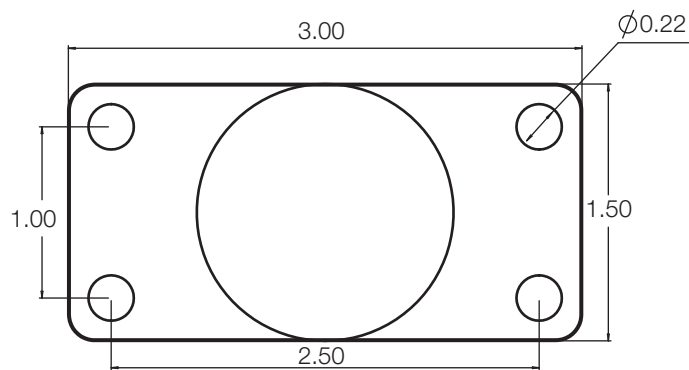
# Drawings Section

---



## RAM-202U-24

For: RAM-B-202U-24, RAM-202U-24, RAM-202-24-B-202, RAM-202-24-202



## RAM-202U-153

For: RAM-B-202-153, RAM-202U-153, RAM-202-153-B-202, RAM-202-153-202

# New Products

---

## Tough-Track™: Extruded Aluminum



RAM-TRACK-EXA-3

RAM-TRACK-EXA-5

RAM-TRACK-EXA-9

RAM-TRACK-EXA-13

RAM-TRACK-EXA-17

## Tough-Track: Composite



RAP-TRACK-A5

RAP-TRACK-A9

RAP-TRACK-A12

RAP-TRACK-A16

## Tough-Track: Extruded Composite



RAP-TRACK-DR-4

RAP-TRACK-DR-8

RAP-TRACK-DR-12

RAP-TRACK-DR-20

RAP-TRACK-DR-30

## Hand-Track™



RAM-TRACK-H4

RAM-TRACK-H10

RAM-TRACK-H15

RAM-TRACK-H30

# New Products

---

RAM-ROD® HD



RAP-433-NB

RAM-ROD® JR.



RAP-434-NB

Tough-Cleat™



RAP-432

Vertical Tie-Down



RAP-431

# New Products

---

Tough-Clip™



RAP-430-400



RAP-430TD



RAP-430-224

Tough-Pole™ Track Mount



RAP-425-4-18-A-GOP1



# New Products

---

Pipe Cap with Diamond Flange



RAP-436

Roller-Ball™ Paddle Clip Base



RAP-412

Drink Cup Holder for Tracks



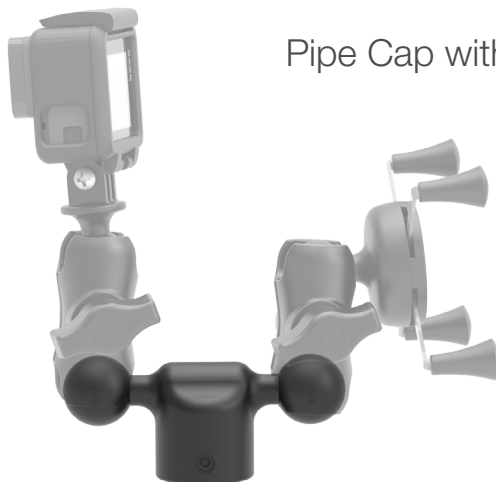
RAP-429T

Bond-A-Base™ with Tough-Track™



RAP-398-GRY-TRACK-A

Pipe Cap with Double Ball



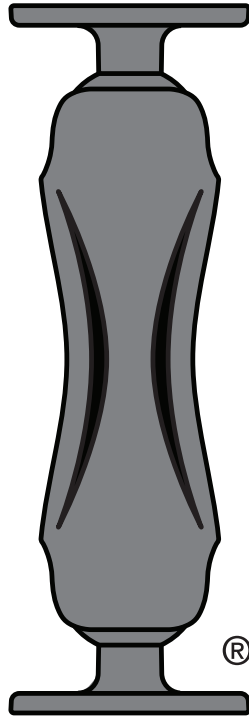
RAP-B-435



RAP-435

# The Shape That Started it All

---



The RAM Hourglass Shape of the Double Socket Arms is a registered trademark of National Products Inc.

RAM® double socket arms with their distinctive Hourglass Shape are recognized globally as a symbol of the reliability, quality and durability of this line of products. The Hourglass Shape is a registered trademark of National Products Inc.

The unique RAM Mounts system offers a full line of interchangeable mounting bases, extensions, device adapters and accessories to secure your gear where you want it. See all of the innovative products and solutions RAM manufactures at [rammount.com](http://rammount.com).



The distinctive RAM® "X-Grip" product shape is a trademark of National Products Inc.



---

RAM® Mounts is a division of National Products Inc.  
8410 Dallas Avenue South  
Seattle, WA 98108  
Phone: 800.497.7479  
sales@rammount.com  
rammount.com

Lifetime Warranty  
Patents and Trademarks  
rammount.com/ip

National Products Inc.  
Would like to thank the following:

Humminbird™  
Jackson Kayak  
Lowrance®  
OtterBox®



### Contact Us

sales@rammount.com  
1-800-497-7479

### Join Our Community



NPI-CAT-PADDLESPTS17  
JUNE 2017